

6111
TWIN TRIODE
 Five-Star Tube
 ★ ★ ★ ★ ★

FOR GENERAL-PURPOSE AMPLIFIER APPLICATIONS

**8-LEAD SUBMINIATURE
 MEDIUM MU**

**SHOCK, VIBRATION RATINGS
 HEATER-CYCLING RATING**

DESCRIPTION AND RATING

The 6111 is a subminiature medium-mu twin triode for use in general-purpose amplifier applications. Each section has an individual cathode and is electrically independent. The tube may also be used as a combined oscillator and mixer in high-frequency circuits.

The 6111 is a special-quality tube intended for use in critical industrial and military applications in which operational dependability is of primary importance. Features of the tube include a high degree of mechanical strength and a heater-cathode construction capable of withstanding many-thousand cycles of intermittent operation. When used in on-off control applications, the tube will maintain its emission capabilities after long periods of operation under cutoff conditions.

GENERAL

ELECTRICAL

Cathode—Coated Unipotential

Heater Voltage, AC or DC..... $6.3 \pm 5\%$ Volts
 Heater Current..... 0.3 Amperes

Direct Interelectrode Capacitances

	With Shield*	Without Shield
Grid to Plate, Each Section.....	1.4	1.5 $\mu\mu\text{f}$
Input, Each Section.....	2.1	1.9 $\mu\mu\text{f}$
Output, Section 1.....	1.3	0.28 $\mu\mu\text{f}$
Output, Section 2.....	1.4	0.32 $\mu\mu\text{f}$
Grid to Grid, maximum.....	0.010	0.011 $\mu\mu\text{f}$
Plate to Plate, maximum.....	0.3	0.5 $\mu\mu\text{f}$

*With external shield of 0.405-inch inside diameter connected to cathode of section under test.

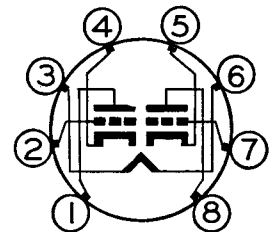
MECHANICAL

Mounting Position—Any

Envelope—T-3, Glass

Base—E8-10, Subminiature Button 8-Lead

BASING DIAGRAM

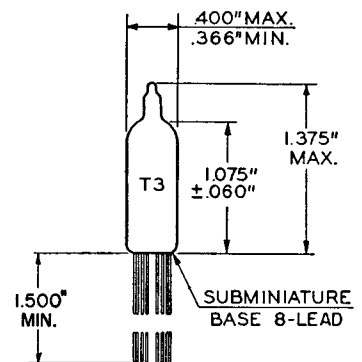


RETMA 8DG

TERMINAL CONNECTIONS

- Lead 1—Plate (Section 2)
- Lead 2—Grid (Section 2)
- Lead 3—Heater
- Lead 4—Cathode (Section 2)
- Lead 5—Cathode (Section 1)
- Lead 6—Heater
- Lead 7—Grid (Section 1)
- Lead 8—Plate (Section 1)

PHYSICAL DIMENSIONS



RETMA 3-1

MAXIMUM RATINGS

ABSOLUTE MAXIMUM VALUES, EACH SECTION

Plate Voltage	165 Volts
Negative DC Grid Voltage	55 Volts
Plate Dissipation	0.95 Watts
DC Plate Current	22 Milliamperes
DC Grid Current	5.5 Milliamperes
Heater-Cathode Voltage	
Heater Positive with Respect to Cathode	200 Volts
Heater Negative with Respect to Cathode	200 Volts
Grid Circuit Resistance	1.1 Megohms
Bulb Temperature at Hottest Point	220 C

CHARACTERISTICS AND TYPICAL OPERATION

CLASS A₁ AMPLIFIER, EACH SECTION

Plate Voltage	100 Volts
Cathode-Bias Resistor	220 Ohms
Amplification Factor	20
Plate Resistance, approximate	4000 Ohms
Transconductance	5000 Micromhos
Plate Current	8.5 Milliamperes
Grid Voltage, approximate	
I _b = 10 Microamperes	-9.0 Volts

CLASS A RESISTANCE-COUPLED AMPLIFIER

EACH SECTION

LOW IMPEDANCE DRIVE (APPROXIMATELY 200 OHMS)										
R _L	R _{gf}	E _{bb} = 90 Volts			E _{bb} = 150 Volts			E _{bb} = 225 Volts		
		R _k	E _o	Gain	R _k	E _o	Gain	R _k	E _o	Gain
0.10	0.10	2400	8.4	13	2100	16	14	1900	25	15
0.10	0.24	3100	12	14	2800	22	15	2600	34	16
0.24	0.24	6200	10	14	5600	19	15	5200	30	16
0.24	0.51	7800	13	14	7200	25	15	7000	38	15
0.51	0.51	14000	11	13	13000	21	14	12000	32	15
0.51	1.0	19000	14	13	17000	26	14	16000	40	15

HIGH IMPEDANCE DRIVE (APPROXIMATELY 100K OHMS)										
R _L	R _{gf}	E _{bb} = 90 Volts			E _{bb} = 150 Volts			E _{bb} = 225 Volts		
		R _k	E _o	Gain	R _k	E _o	Gain	R _k	E _o	Gain
0.10	0.10	3200	11	13	2500	21	14	2100	32	15
0.10	0.24	4200	15	14	3400	28	15	3000	43	15
0.24	0.24	8400	13	13	6800	24	14	6000	36	15
0.24	0.51	10000	16	13	8700	29	15	7800	45	15
0.51	0.51	17000	13	13	15000	25	14	13000	38	15
0.51	1.0	21000	17	13	19000	30	14	17000	47	15

Notes:

- E_o is maximum RMS voltage output for approximately five percent total harmonic distortion.
- Gain is measured for an output voltage of two volts RMS.
- R_k is in ohms; R_L and R_{gf} are in megohms.
- Coupling capacitors (C) should be selected to give desired frequency response. R_k should be adequately by-passed.

SPECIAL TESTS AND RATINGS

Stability Life Test

Statistical sample operated for one hour to evaluate and control initial variations in transconductance.

Survival Rate Life Test

Statistical sample operated for one hundred hours to evaluate and control early-life electrical and mechanical in-operatives.

Heater-Cycling Life Test

Statistical sample operated for 2000 cycles to evaluate and control heater-cathode defects. Conditions of test include $E_f = 7.0$ volts cycled for one minute on and four minutes off, $E_b = E_c = 0$ volts, and $E_{hk} = 140$ volts RMS.

Shock Rating—450 G

Statistical sample subjected to five impact accelerations of 450 G in each of four different positions. The accelerating forces are applied by the Navy-type, High Impact (flyweight) Shock Machine for Electronic Devices or its equivalent.

Fatigue Rating—2.5 G

Statistical sample subjected to vibrational acceleration of 2.5 G for 32 hours in each of three different positions. The sinusoidal vibration is applied at a fixed frequency between 25 and 60 cycles per second.

Altitude Rating—60,000 Feet

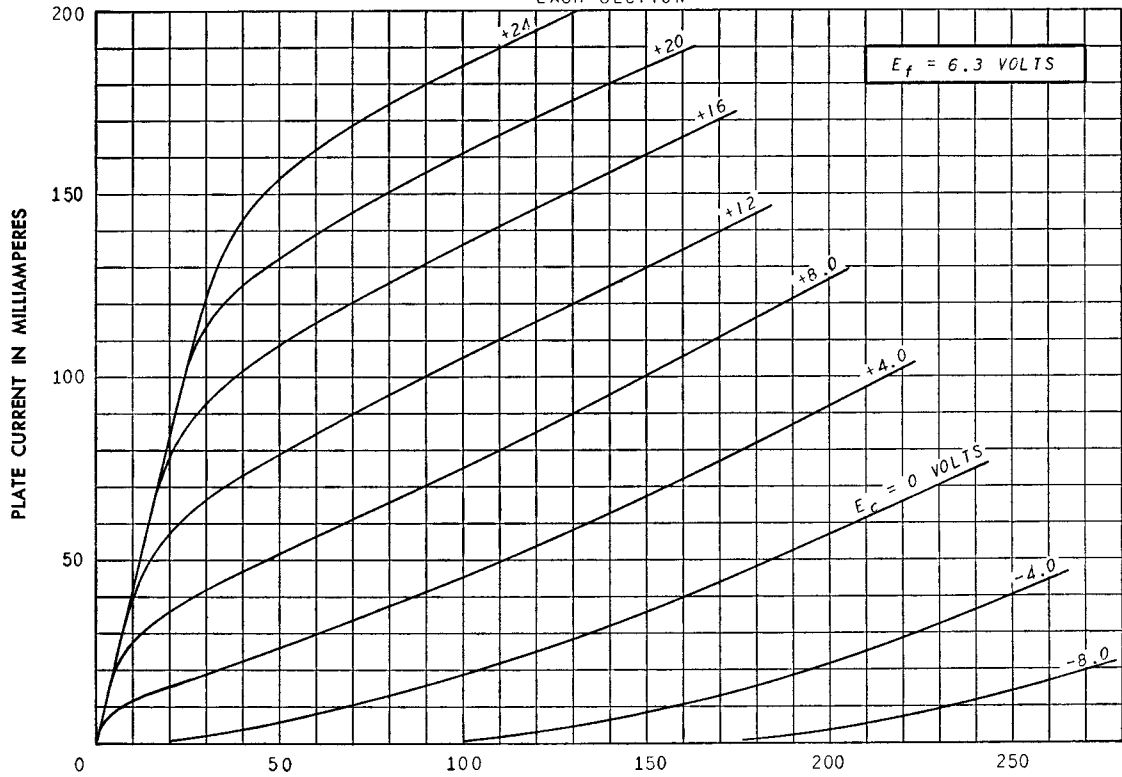
Statistical sample subjected to pressure of 55 millimeters of mercury to evaluate and control arcing and corona.

Note: The conditions for some of the indicated tests have deliberately been selected to aggravate tube failures for test and evaluation purposes. In no sense should these conditions be interpreted as suitable circuit operating conditions.

In the design of military equipment employing this tube, reference should be made to the appropriate MIL-E-1 specification.

AVERAGE PLATE CHARACTERISTICS

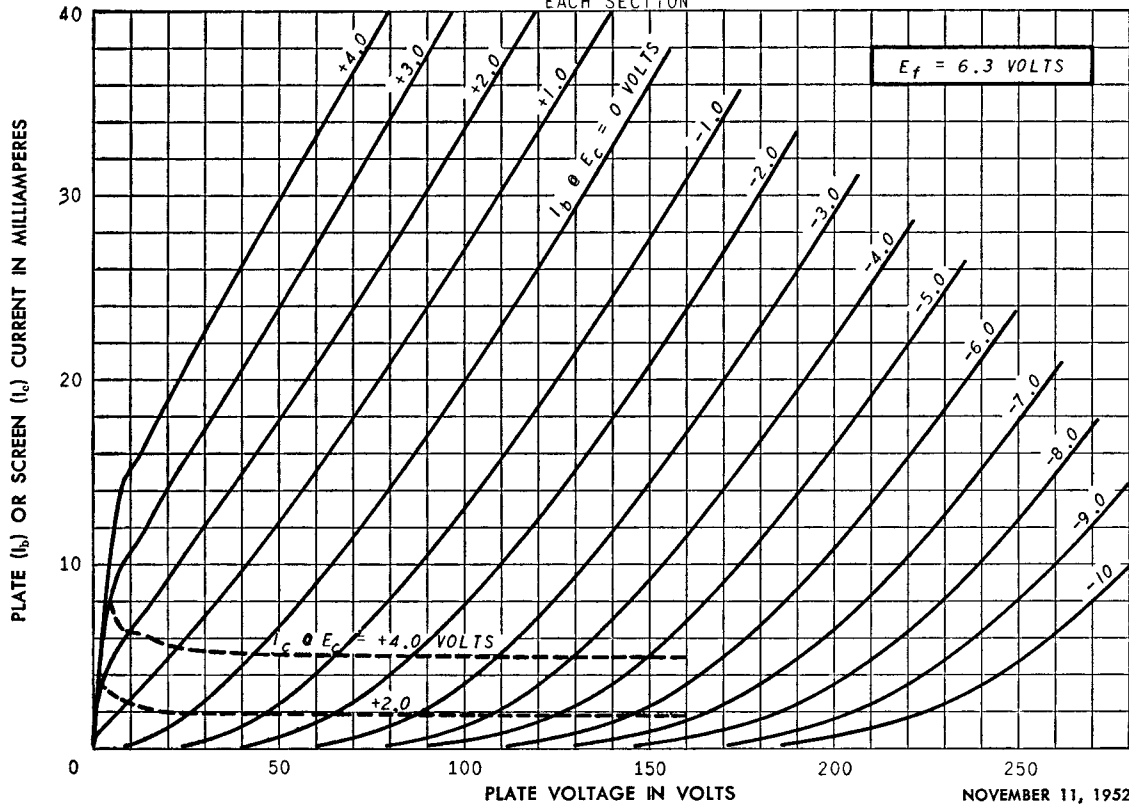
EACH SECTION



DECEMBER 21, 1956

AVERAGE PLATE CHARACTERISTICS

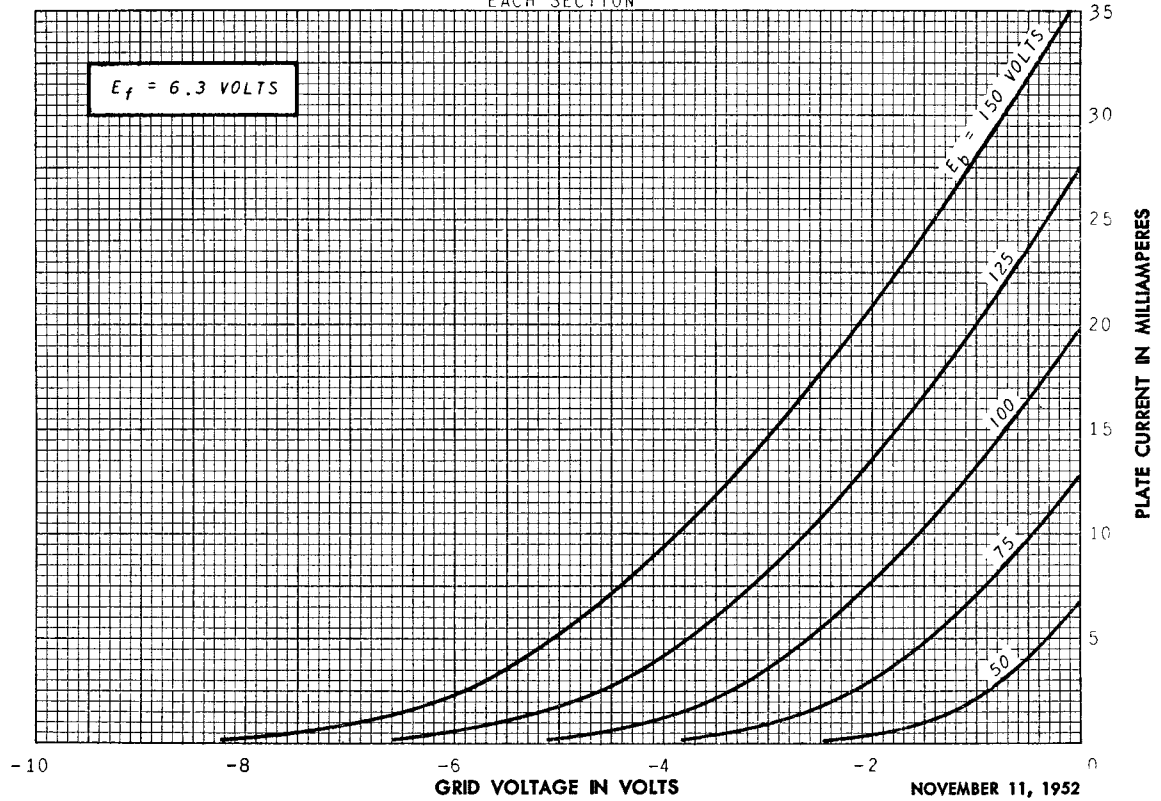
EACH SECTION



NOVEMBER 11, 1952

AVERAGE CHARACTERISTICS

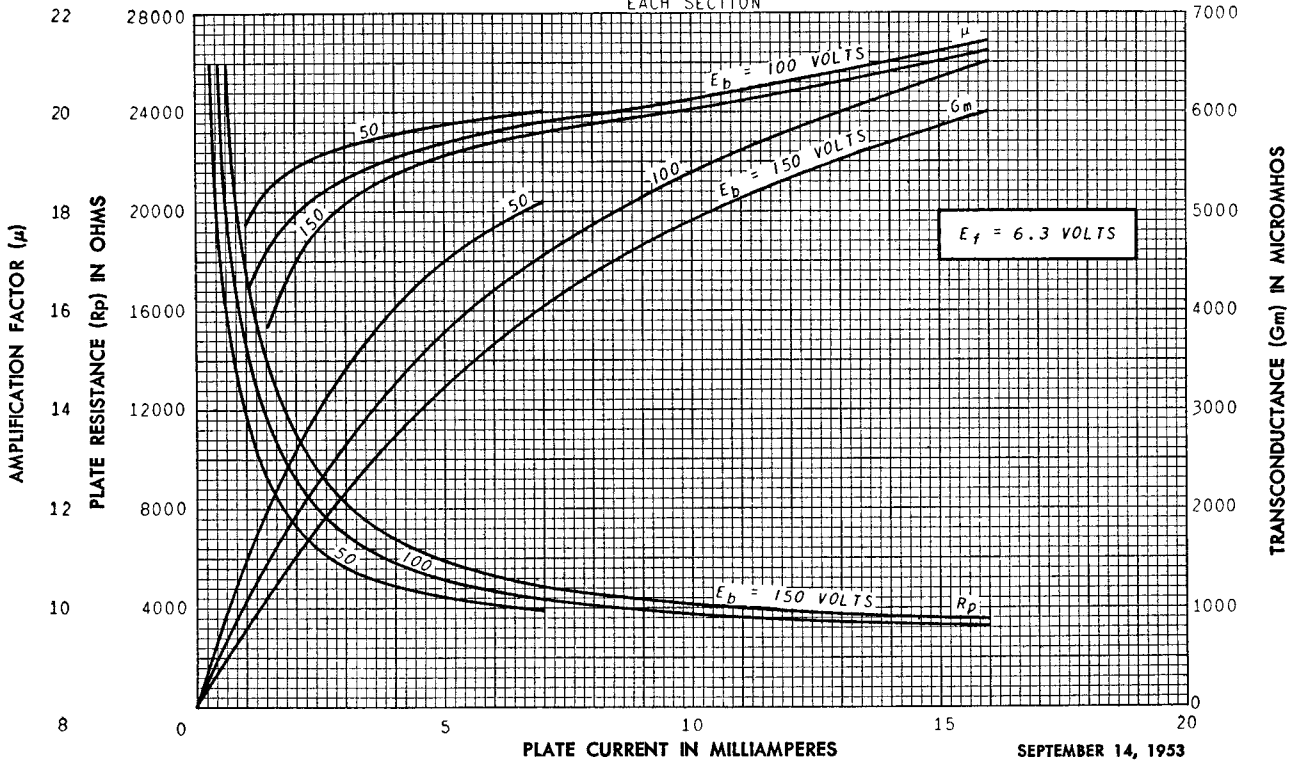
EACH SECTION



NOVEMBER 11, 1952

AVERAGE CHARACTERISTICS

EACH SECTION



SEPTEMBER 14, 1953

ELECTRONIC COMPONENTS DIVISION



Schenectady 5, N. Y.