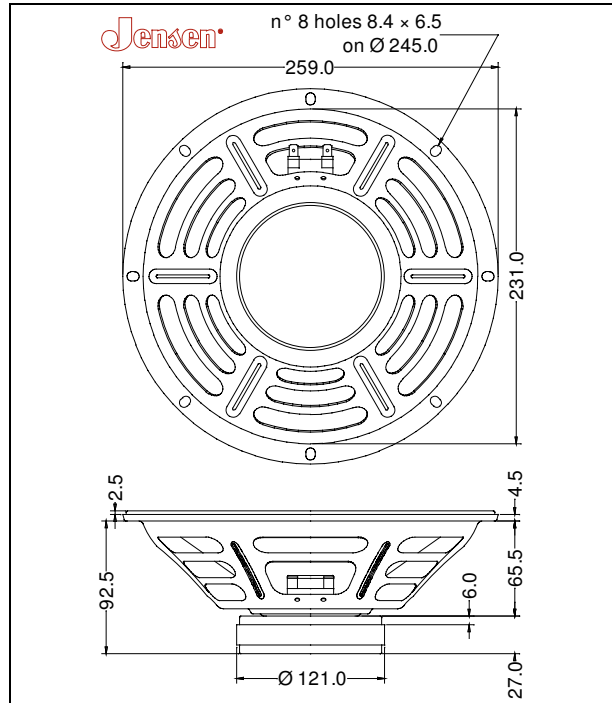


GENERAL CHARACTERISTICS		
Nominal Overall Diameter	259 mm.	10 in.
Nominal Voice Coil Diameter	38 mm.	1.50 in.
Magnet Weight	640 g	22.58 oz
Overall Weight		5.55 lbs
Flux Density		1.16 T

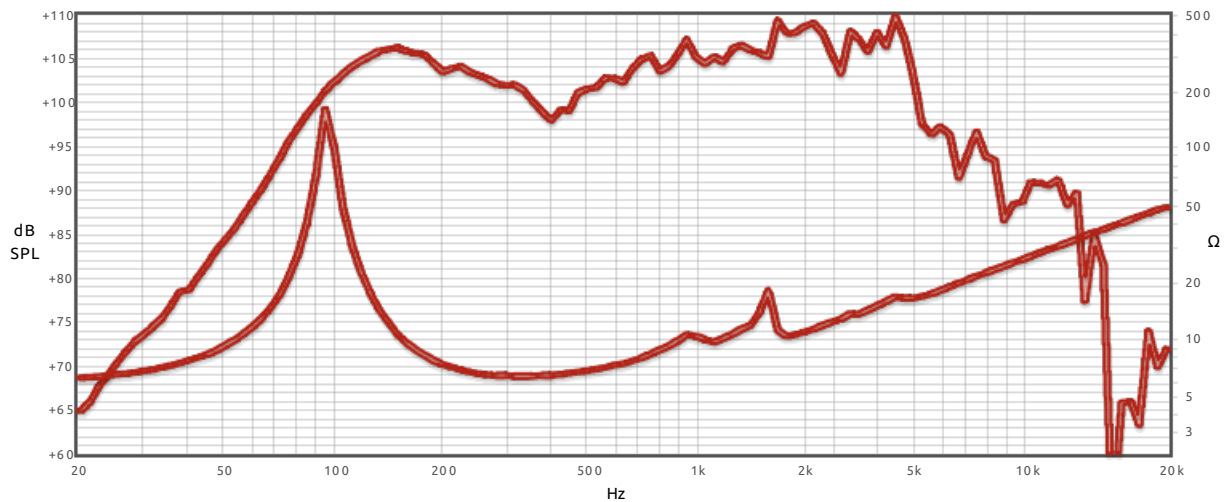
THIELE-SMALL PARAMETERS			8Ω
Voice Coil DC Resistance	R_E	5.00	Ω
Resonance Frequency	f_S	99.0	Hz
Mechanical Q Factor	Q_{MS}	16.28	
Electrical Q Factor	Q_{ES}	0.73	
Total Q Factor	Q_{TS}	0.69	
Mechanical Moving Mass	M_{MS}	19.8	g
Mechanical Compliance	C_{MS}	129	μm/N
Force Factor	$B \times L$	9.24	Wb/m
Equivalent Acoustic Volume	V_{AS}	19.8	lt.
Maximum Linear Displacement	X_{MAX}	± 1.50	mm
Reference Efficiency	η_0	2.58	%
Diaphragm Area	S_D	330.0	cm ²
Losses Electrical Resistance	R_{ES}	112.0	Ω
Voice Coil Inductance @ 1kHz	L_E	0.52	mH

CONSTRUCTIVE CHARACTERISTICS	
Magnet	Ferrite
Voice Coil Winding	Copper
Voice Coil Former	Epotex
Cone Material	Paper
Surround Material	Integrated Paper
Dust Dome Material	Non-treated Cloth
Basket Material	Pressed Sheet Steel

ELECTRICAL CHARACTERISTICS		8Ω
Nominal Impedance		8 Ω
Rated Power		70 W
Musical Power		140 W
Sensitivity@1W,1m		98.2 dB



Frequency Response on IEC Baffle (DIN 45575) @ 1 W, 1 m - Free Air Impedance



Due to continuing product improvement, the features and the design are subject to change without notice.