

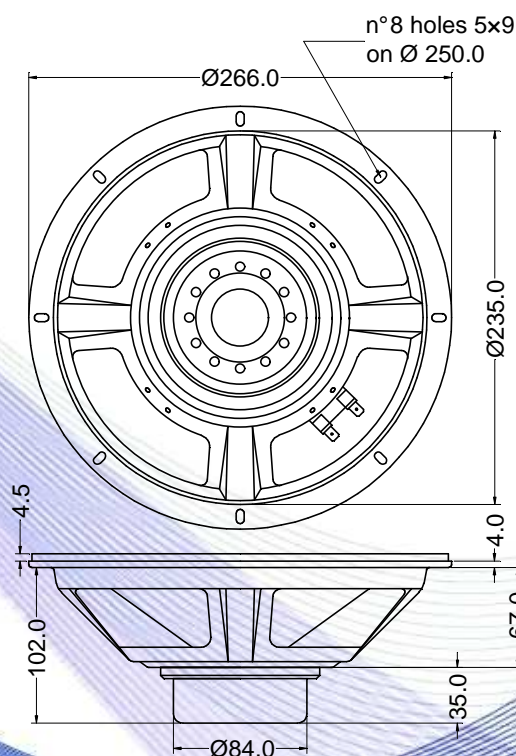
- 2,5" sandwich voice coil fiberglass former and aluminium wire
- Punch sound
- Neodymium magnet
- Ventilated voice coil to reduce power compression
- 96.3 dB sensitivity



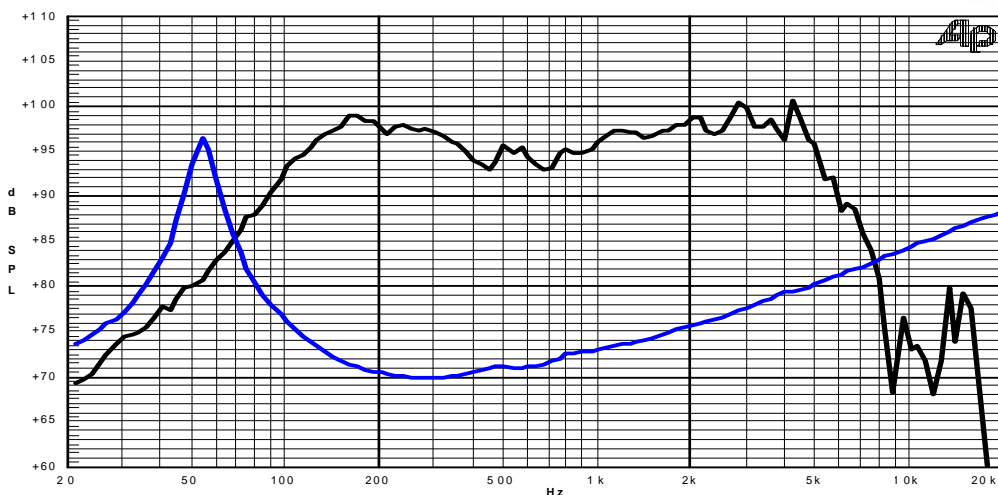
Specifications	
Nominal Diameter	266mm (10")
Nominal Impedance	8Ω
Rated Power AES <sup>(1)</sup>	250W
Continuous Program Power <sup>(2)</sup>	500W
Sensitivity @ 1W/1m <sup>(3)</sup>	96.3dB
Voice Coil Diameter	65mm (2,5")
Voice Coil Winding Depth	16mm
Magnetic Gap Depth	8mm
Flux Density	1.11T
Magnet Weight	220g
Net Weight	2.0kg

Thiele & Small Parameters <sup>(4)</sup>			
Re	6.10Ω	Fs	54.0Hz
Qms	5.50	Qes	0.34
Qts	0.32	Mms	30.4g
Cms	291μm/N	Bxl	13.55Tm
Vas	44.8l	Sd	330.1cm <sup>2</sup>
X max <sup>(5)</sup>	+/-4.0mm	X var <sup>(6)</sup>	+/-4.5mm
η <sub>0</sub>	1.96%	Le (1kHz)	0.85mH

Costructive Characteristics	
Magnet	: Neodymium
Basket Material	: Pressed Sheet Steel
Voice Coil Winding Material	: Aluminium
Voice Coil Former Material	: Fiberglass
Cone Material	: Paper
Cone Treatment	: No
Surround Material	: Treated Cloth
Dust Dome Material	: Solid Paper



Frequency Response on IEC Baffle (DIN 45575) @ 1W,1m – Free Air Impedance



- Note:
- 1 : Rated Power measured with 2 hours test with pink noise signal, 6dB crest factor, loudspeaker mounted on enclosure
  - 2: Power on Continuous Program is defined as 3 dB greater than the Rated Power
  - 3: Calculated by Thiele & Small parameters
  - 4: Thiele & Small parameters measured with laser system without preconditioning test
  - 5: Measured with respect to a THD of 10% using a parameter-based method
  - 6: Value corresponding to a decay of the Force Factor, or Compliance, or both, equal to the 50% of the small signal value.
  - 7: Drawing dimensions: mm
  - 8: The notch around 400Hz on the frequency response is typical of the measurement on IEC baffle