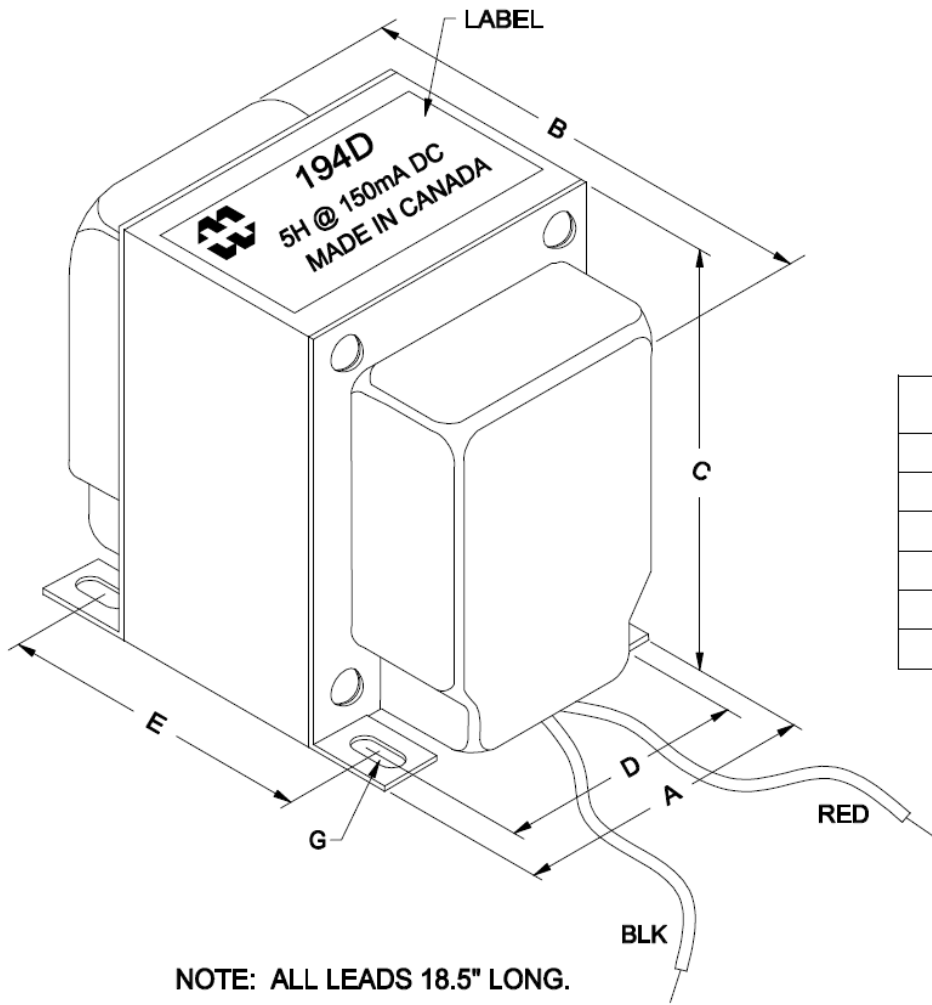
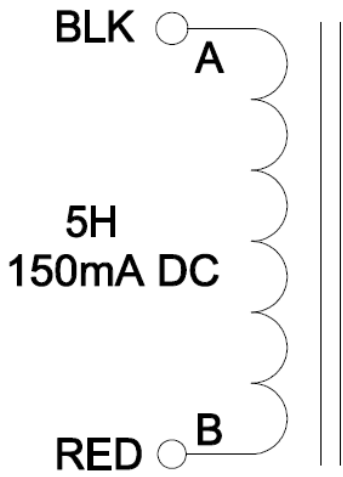


194D



DIMENSIONS:	
A	2.188" ±0.063
B	2.447" ±0.125
C	2.625" ±0.063
D	1.750" ±0.063
E	1.438" ±0.063
G	0.188" x 0.325" ±0.015



ELECTRICAL DATA:	
DCR	@ 20C, BLK - RED = 107.2 Ω ±15%
Prl. Inductance	5H @ 150mA DC

TITLE				194D
CHOKE OR REACTOR TRANSFORMER				
			DR BY IOAN POP	
0	05/12/09	PRELIMINARY.	I.P. DATE 05/12/09	
NO	DATE	REVISION	DIM IN(X)MM()	