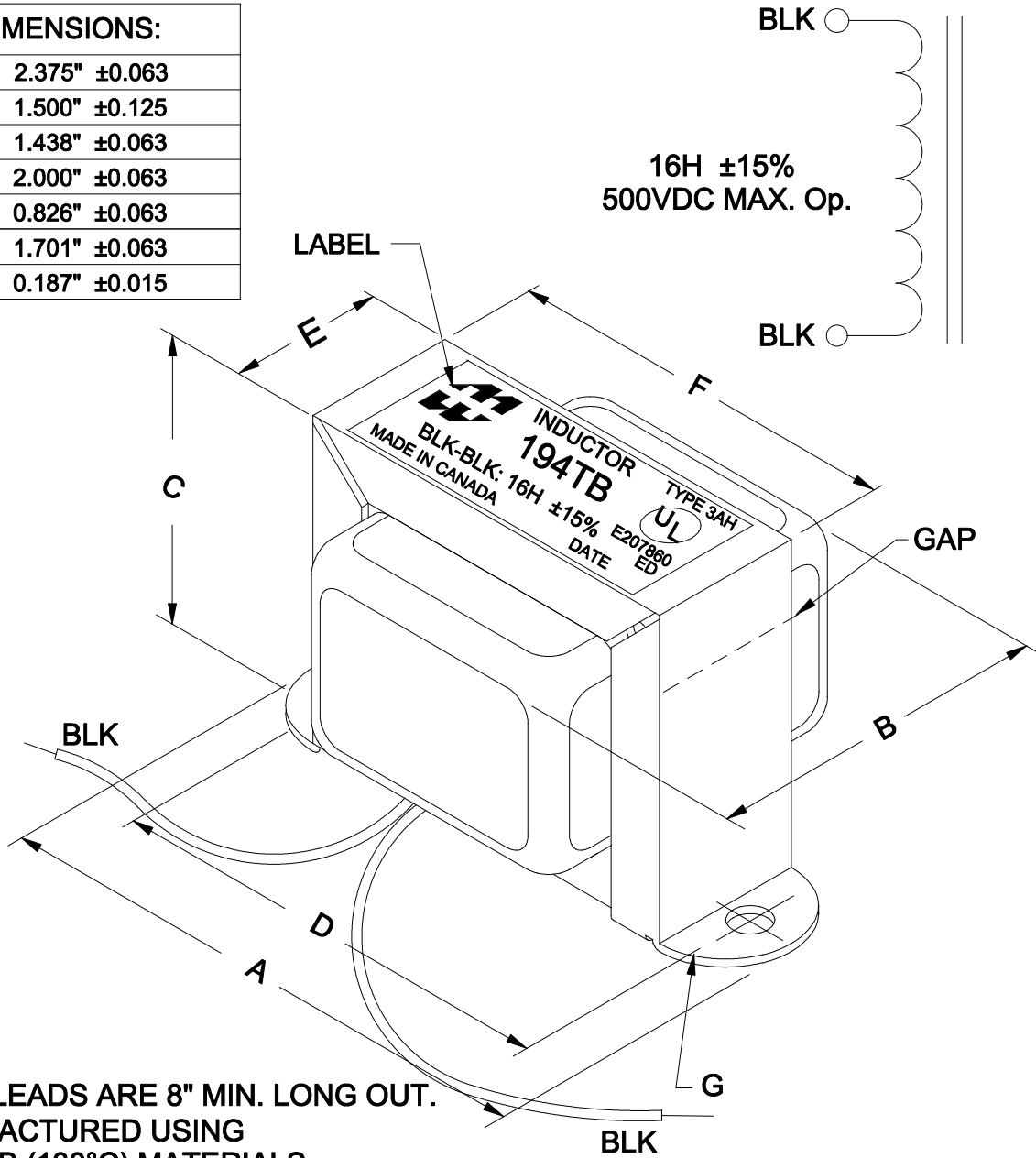


DIMENSIONS:	
A	2.375" ±0.063
B	1.500" ±0.125
C	1.438" ±0.063
D	2.000" ±0.063
E	0.826" ±0.063
F	1.701" ±0.063
G	0.187" ±0.015



NOTE: LEADS ARE 8" MIN. LONG OUT.
 MANUFACTURED USING
 CLASS B (130°C) MATERIALS.
 RoHS COMPLIANT

ELECTRICAL DATA:

TESTS	CONDITIONS	ACCEPTANCE CRITERIA	
INDUCTANCE	@ 5V, 60Hz, BLK - BLK	16H	±15%
DCR	@ 20°C, BLK - BLK =	84.21 Ω	±15%
HIPOT	PRIMARY - SECONDARY	2500V, 60Hz, 1 SEC	



HAMMOND MANUFACTURING
 ELECTRONIC DIVISION
 52 RANKIN PLACE,
 WATERLOO, ONTARIO, N2J 3Z5
 PH # (519) 886-6181
 FAX # (519) 886-9540

TITLE
CHOKE

NO	DATE	REVISION	DWG. BY
0	06/01/18	RELEASED.	C.I.
			C. ILIE
			DATE
			06/01/18
			DIM IN(X)MM()

194TB