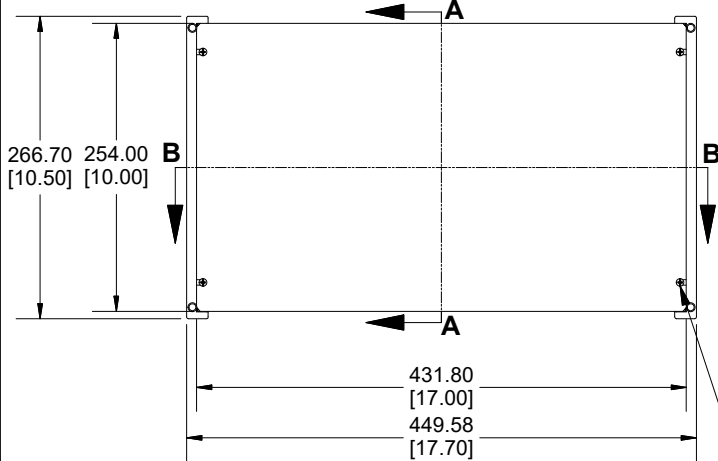
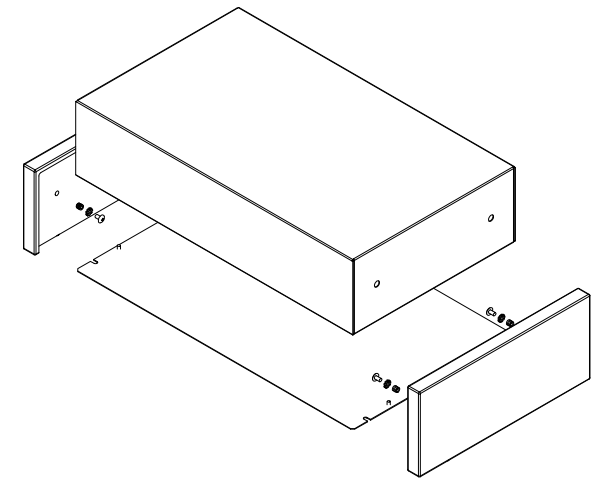
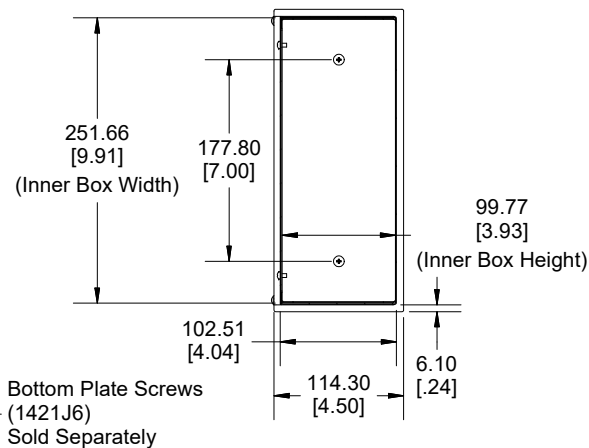


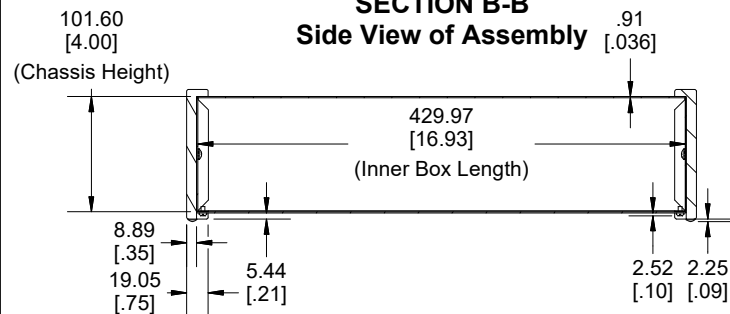
Bottom View of Assembly



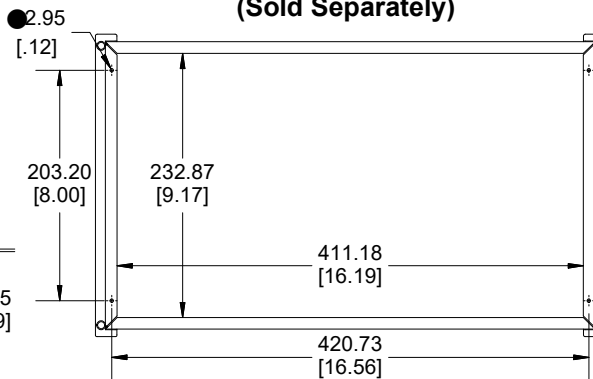
**SECTION A-A
End View of Assembly**



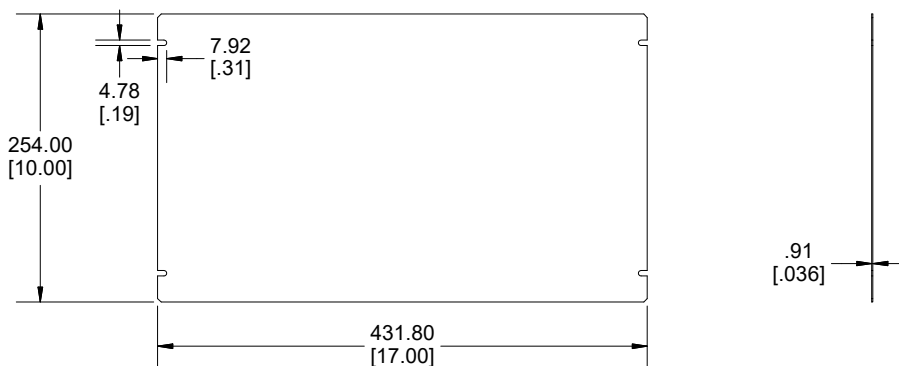
**SECTION B-B
Side View of Assembly**



**Bottom View of Chassis Assembly
(Sold Separately)**



**Bottom Plate
(Sold Separately)**



Enclosures can be Factory Modified (Milling, Drilling, Printing etc.)
Contact Factory mjm@hammondmg.com for quotes
Solid models of this enclosure available in STEP or IGES.

NOTE

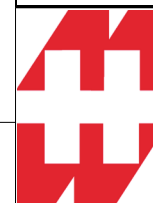
Chassis Includes Wooden Sides, Adhesive Rubber Feet and Required Hardware
Chassis is Made of 0.020" Steel.
Bottom Plate is Made of 0.020" Steel. (Sold Separately)

Screws should not be torqued past 4.43 lbf.in (50 cN.m)

PART NUMBERS

ACCESSORIES

Black Cover Screws (Pkg 6) [6-32 x 1/4" Self-Tapping Screws]	1421J6BK
Clear Self-Adhesive Rubber Feet (Pkg 24)	1421T6CL



**HAMMOND
MANUFACTURING™**

1441-33CWW

www.hammondmg.com

Dimensions:
mm
[inches]