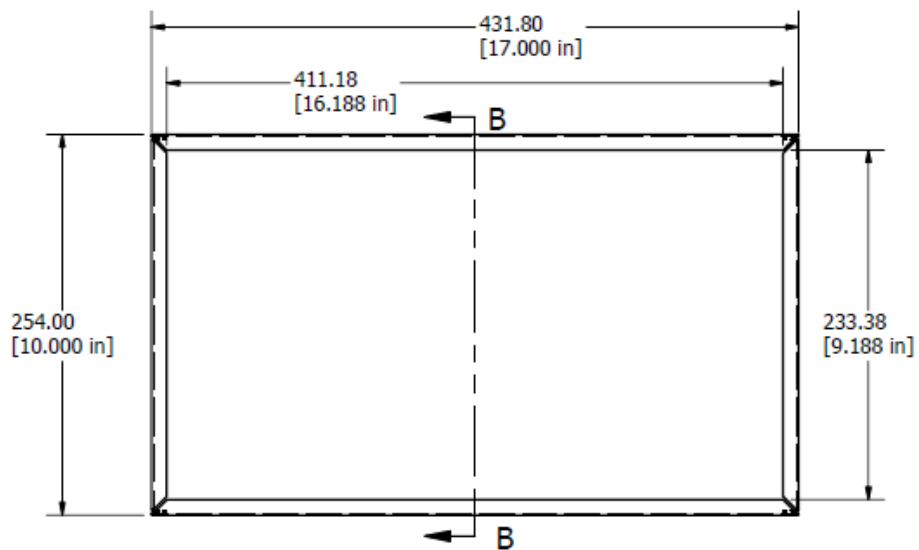
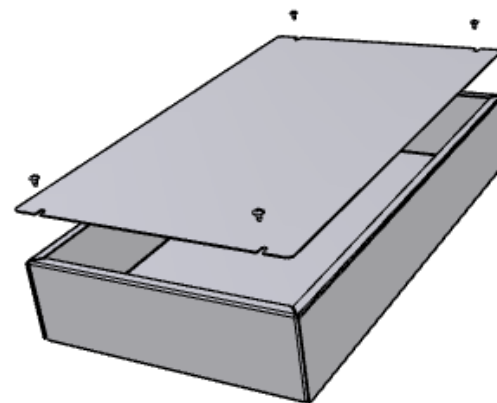
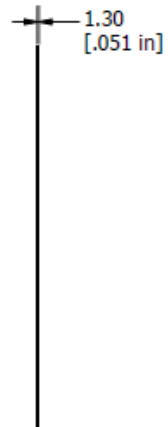
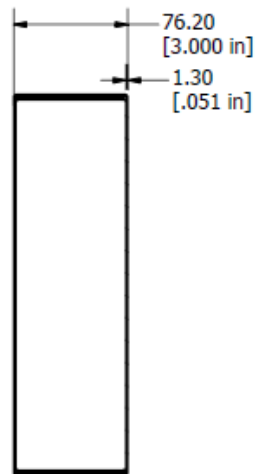


1434-30 - VIEW FROM TOP (SOLD SEPERATELY)



1444-32 - VIEW FROM TOP (SOLD SEPERATELY)



SECTION B-B

MATERIAL- 0.051" UNPAINTED ALUMINUM - ALL PARTS SOLD SEPERATELY
- CHASIS - 1444-32
-COVER - 1434-30
- 8 SCREWS (6-32 x 1/4 SHEET METAL SCREWS) - 1421J8