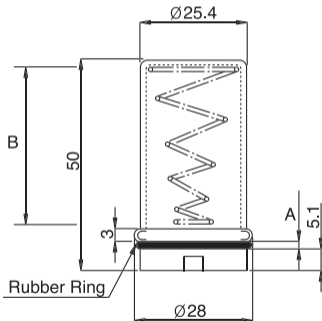


# TUBE SHIELD-1

P-SS9-600

Rubber Thick. (A)	Spring Leng. (B)
1.8mm	50mm
2.5mm	26mm



- Materials; Aluminum sleeve with natural coil spring