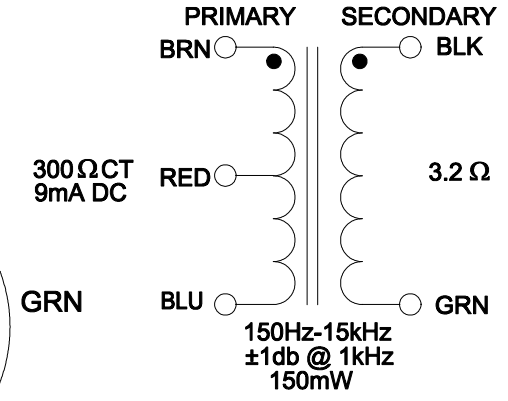
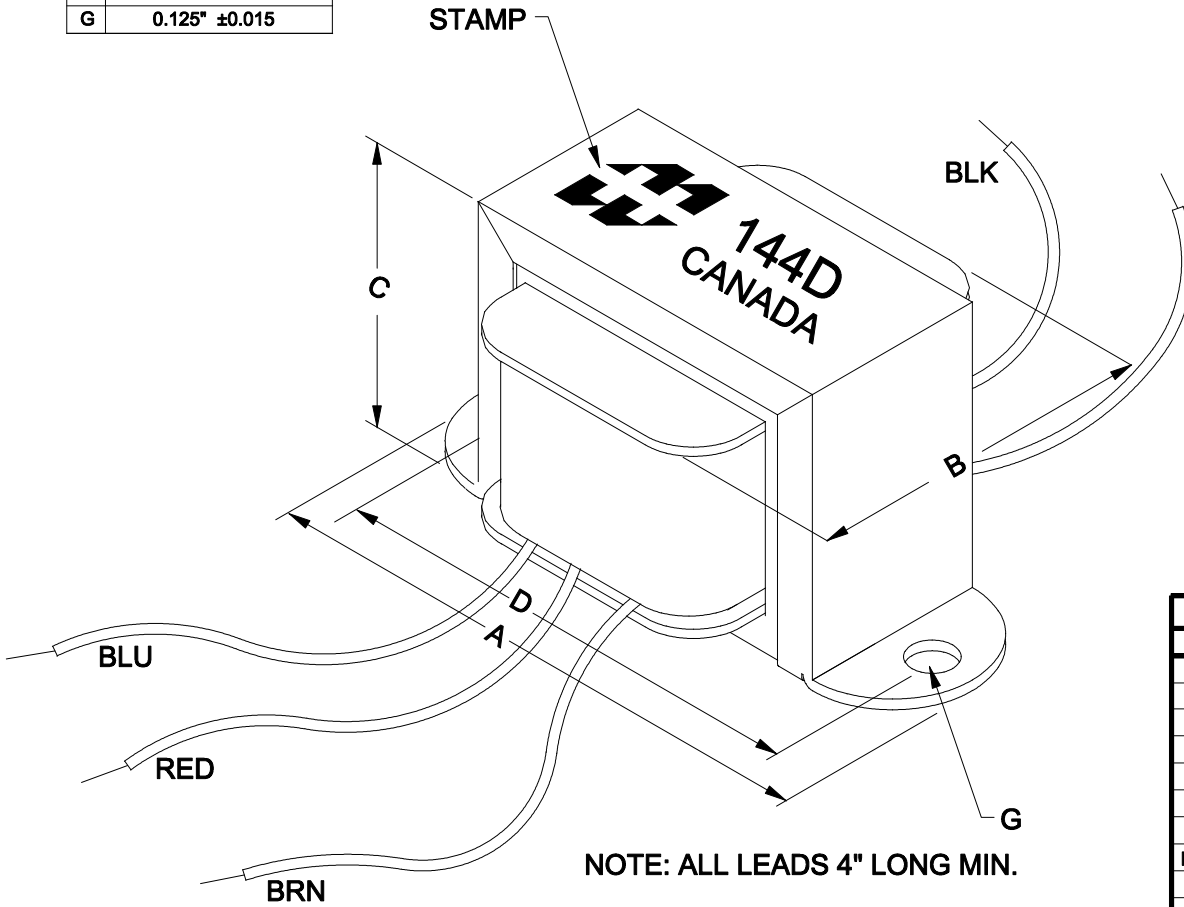


DIMENSIONS:	
A	1.266" ±0.063
B	0.690" ±0.125
C	0.690" ±0.063
D	1.063" ±0.063
G	0.125" ±0.015



ELECTRICAL DATA:		
TESTS	CONDITIONS	ACCEPTANCE CRITERIA
Iex	@ 14V, 400Hz, BRN - BLU	6.8mA Max.
Sec. N.L.V	@ 14V, 400Hz, BRN - BLU	
	BRN - RED = RED - BLU =	7.000V ±2%
	BLK - GRN =	1.469V ±2%
DCR	@ 20°C, BRN - BLU =	15.50 Ω ±20%
	@ 20°C, YEL - GRN =	0.330 Ω ±20%
HIPOT	PRIMARY - SECONDARY	250V, 60Hz, 1 SEC

REV.#	REVISION	DATE	HAMMOND MANUFACTURING™		ELECTRONIC DIVISION	
0	RELEASED.	C.I. 06/06/17	52 RANKIN PLACE, WATERLOO, ONTARIO, N2J 3Z5		PH # (519) 886-6181 FAX # (519) 886-9540	
			DWG. BY: C. ILIE	CHK'D BY:	TITLE: AUDIO TRANSFORMER	DWG. NO. 144D
			DATE: 06/06/17	APP'D. BY:		
				DIMENSIONS: IN(X) MM()		