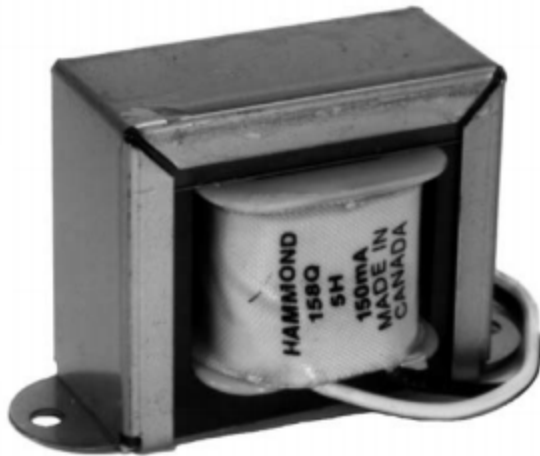
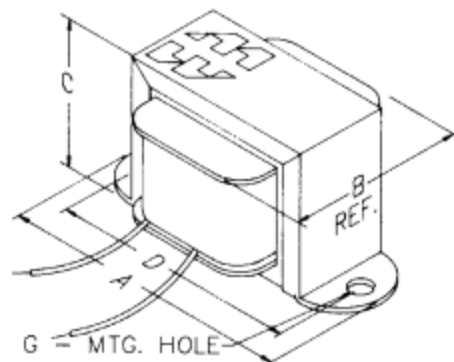


D.C. Filter (153-159 Series)



OPEN BRACKET D.C. FILTER CHOKES

- Economical "open bracket" - channel mount.
- Tolerance of 15% on both inductance & resistance.
- Inductances measured at rated D.C. current.
- Minimum 5" long leads.
- Units will exhibit less inductance at slightly higher currents or more at lower currents.
- Perfect for high voltage power supply filtering.



Part No.	Inductance Henrys	D.C. Current (ma.)	Resistance (Ohms)	Max. Oper. Volts (D.C.)	Wt. Lbs.	Dim. Ref.
153E	7	25	770	300	.10	C1H
153H	2.2	50	305	300	.10	C1H
153L	0.9	75	125	300	.10	C1H
153M	0.6	100	86	300	.10	C1H
154E	20	20	1666	300	.25	C2H
154G	9	40	700	300	.25	C2H
154H	4	50	300	300	.25	C2H
154M	2	100	175	300	.25	C2H
155C	60	8	2750	400	.30	C4H
155G	7	40	340	400	.30	C4H
155H	5	50	270	400	.30	C4H
155J	15	30	1026	400	.30	C4H
156C	150	8	3700	400	.50	C6H
156G	9	40	300	400	.50	C6H
156L	5	75	135	400	.50	C6H
156M	3	100	86	400	.50	C6H
156R	1.5	200	56	400	.50	C6H
157G	30	40	595	400	1.0	C9H
157J	10	65	205	400	1.0	C9H
157L	14	75	429	400	1.0	C9H
157M	8	100	259	400	1.0	C9H
157Q	3.5	150	98	400	1.0	C9H
157R	2	200	57	400	1.0	C9H
158L	15	75	411	400	1.25	C10H
158M	10	100	262	400	1.25	C10H
158Q	5	150	105	400	1.25	C10H
158S	1.5	250	60	400	1.50	C10H
158T	1	300	40	400	1.50	C10H
159M	15	100	256	500	2.25	C14H
159P	10	125	155	500	2.25	C14H
159Q	7	150	100	500	2.25	C14H
159S	4	225	65	500	2.25	C14H
159T	2.5	300	43	500	2.25	C14H
159V	1.5	500	27	500	2.25	C14H
159Y	0.6	750	11	500	2.25	C14H
154B	3mH	1.5A	0.14	300	.25	C2H
155B	6mH	2A	0.3	400	.30	C4H
156B	1.5mH	5A	0.07	400	.50	C6H
157D	1mH	10A	0.038	400	1.0	C9H
159ZA	300mH	1A	6.0	500	2.50	C14H
159ZC	60mH	2A	0.7	500	2.50	C14H
159ZE	28mH	3A	0.43	500	2.75	C14H
159ZG	15mH	4A	0.25	500	2.75	C14H
159ZJ	10mH	5A	0.16	500	2.75	C14H
159ZL	2.5mH	10A	0.044	500	2.75	C14H

Dimension Table

Mtg. Style	Dimensions (Inches)				
	A	B	C	D	Mtg. Hole
C1H	1.63	0.88	0.81	1.38	0.125
C2H	2.06	1.25	1.19	1.75	0.187
C4H	2.38	1.38	1.38	2.00	0.187
C6H	2.81	1.50	1.69	2.38	0.187
C9H	3.25	1.75	2.00	2.81	0.187
C10H	3.25	2.00	2.00	2.81	0.187
C14H	4.03	2.25	2.63	3.56	0.187