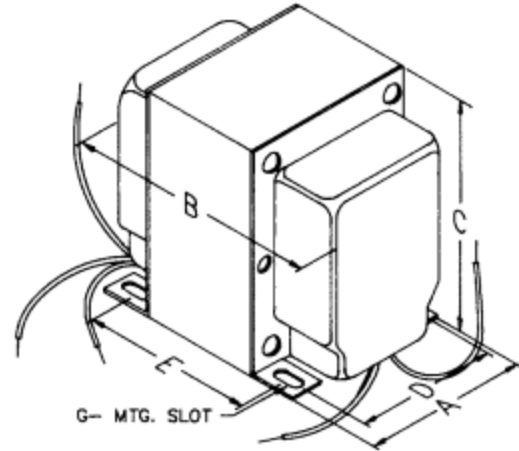


# Filament & L.V. Rectifier Use (167 Series)



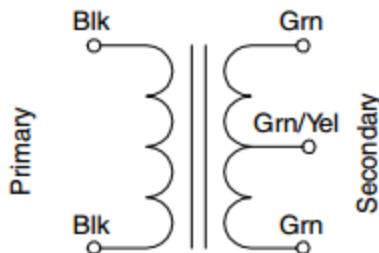
## ENCLOSED FILAMENT & L.V. RECTIFIER USE TRANSFORMERS

- Primary 115 VAC, 60 Hz.
- All secondaries center tapped, VAC (RMS)
- Enclosed, 4 hole chassis mount.
- Minimum 6" long leads.
- Dual bobbin design - no electrostatic shield required.
- Class B insulation (130 degrees C).
- Hi-Pot test of 2,000V RMS.
- UL listed (# E50394) & CSA certified (# LR3902).

## Dimension Table

Mtg. Style	Dimensions (Inches)					G-Mtg. Slot
	A	B	C	D	E	
X1	1.88	2.19	2.50	1.50	1.31	.19 x .31
X2	1.88	2.44	2.50	1.50	1.56	.19 x .31
X3	2.19	2.38	2.63	1.75	1.31	.19 x .25
X4	2.19	2.50	2.63	1.75	1.44	.19 x .25
X5	2.19	2.63	2.63	1.75	1.56	.19 x .25
X6	2.50	2.75	3.06	2.00	1.69	.203 x .38
X7	2.50	3.00	3.06	2.00	1.94	.203 x .38
X8	2.50	3.25	3.06	2.00	2.19	.203 x .38
X9	2.50	3.75	3.06	2.00	2.69	.203 x .38
X10	3.13	3.50	3.81	2.50	2.19	.203 x .38
X11	3.13	3.75	3.81	2.50	2.44	.203 x .38
X13	3.75	4.00	4.56	3.00	2.81	.203 x .38
X14	3.75	4.50	4.56	3.00	3.31	.203 x .38
X15	3.75	5.00	4.56	3.00	3.81	.203 x .38
X16	3.75	5.50	4.56	3.00	4.31	.203 x .38

## Transformer Schematic





Primary 115 VAC 60 Hz.

Part No.	VA	Secondary (R.M.S.)		Dim Ref.
		VAC	Amps	
167M5	15	5 C.T.	3	X1
167Q5	30	5 C.T.	6	X2
167R5	40	5 C.T.	8	X4
167S5	50	5 C.T.	10	X5
167U5	75	5 C.T.	15	X6
167V5	100	5 C.T.	20	X8
167X5	150	5 C.T.	30	X10
167N6	25.2	6.3 C.T.	4	X2
167Q6	37.8	6.3 C.T.	6	X3
167R6	50.4	6.3 C.T.	8	X5
167S6	63	6.3 C.T.	10	X6
167T6	75.6	6.3 C.T.	12	X6
167U6	100.8	6.3 C.T.	16	X8
167U7	112.5	7.5 C.T.	15	X8
167V7	157.5	7.5 C.T.	21	X10
167N10	40	10 C.T.	4	X4
167P10	50	10 C.T.	5	X5
167R10	80	10 C.T.	8	X7
167S10	100	10 C.T.	10	X8
167P11	55	11 C.T.	5	X6
167S11	110	11 C.T.	10	X8
167U11	165	11 C.T.	15	X10
167L12	31.5	12.6 C.T.	2.5	X2
167N12	50.4	12.6 C.T.	4	X5
167Q12	75.6	12.6 C.T.	6	X6
167R12	100.8	12.6 C.T.	8	X8
167S12	126	12.6 C.T.	10	X9
167V12	252	12.6 C.T.	20	X13
167N14	56	14 C.T.	4	X6
167Q14	84	14 C.T.	6	X7
167M16	48	16 C.T.	3	X5
167P16	80	16 C.T.	5	X7
167M18	54	18 C.T.	3	X6
167P18	90	18 C.T.	5	X7
167S18	180	18 C.T.	10	X11
167U18	270	18 C.T.	15	X13
167V18	360	18 C.T.	20	X14
167M20	60	20 C.T.	3	X6
167P20	100	20 C.T.	5	X8
167U20	320	20 C.T.	16	X14
167T22	264	22 C.T.	12	X13
167V22	440	22 C.T.	20	X15
167L24	48	24 C.T.	2	X5

Primary 115 VAC 60 Hz.

Part No.	VA	Secondary (R.M.S.)		Dim Ref.
		VAC	Amps	
167J25	25	25 C.T.	1	X2
167K25	37.5	25 C.T.	1.5	X3
167M25	75	25 C.T.	3	X6
167N25	100	25 C.T.	4	X8
167P25	125	25 C.T.	5	X9
167S25	250	25 C.T.	10	X13
167J28	28	28 C.T.	1	X2
167L28	56	28 C.T.	2	X6
167M28	84	28 C.T.	3	X7
167K30	45	30 C.T.	1.5	X4
167M30	90	30 C.T.	3	X7
167P30	150	30 C.T.	5	X10
167S30	300	30 C.T.	10	X13
167J33	33	33 C.T.	1	X2
167J36	36	36 C.T.	1	X3
167L36	72	36 C.T.	2	X6
167M36	108	36 C.T.	3	X8
167P36	180	36 C.T.	5	X11
167R36	288	36 C.T.	8	X13
167T36	432	36 C.T.	12	X15
167L44	88	44 C.T.	2	X7
167J50	50	50 C.T.	1	X5
167L50	100	50 C.T.	2	X8
167P50	250	50 C.T.	5	X13
167G55	27.5	55 C.T.	0.5	X2
167J55	55	55 C.T.	1	X6
167L55	110	55 C.T.	2	X8
167G60	30	60 C.T.	0.5	X2
167J60	60	60 C.T.	1	X6
167L60	120	60 C.T.	2	X9
167M60	180	60 C.T.	3	X11
167P60	300	60 C.T.	5	X13
167S64	640	64 C.T.	10	X16
167L70	140	70 C.T.	2	X9
167N70	280	70 C.T.	4	X13
167G80	40	80 C.T.	0.5	X4
167J80	80	80 C.T.	1	X7
167L80	160	80 C.T.	2	X10
167N80	320	80 C.T.	4	X14
167G100	50	100 C.T.	0.5	X5
167J100	100	100 C.T.	1	X8
167P100	500	100 C.T.	5	X16
167G120	60	120 C.T.	0.5	X6
167H200	174	200 C.T.	0.87	X11