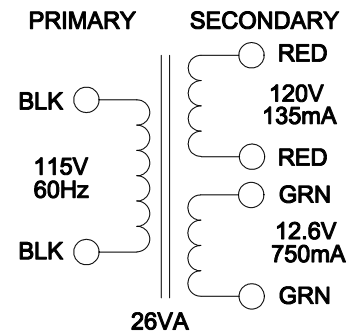
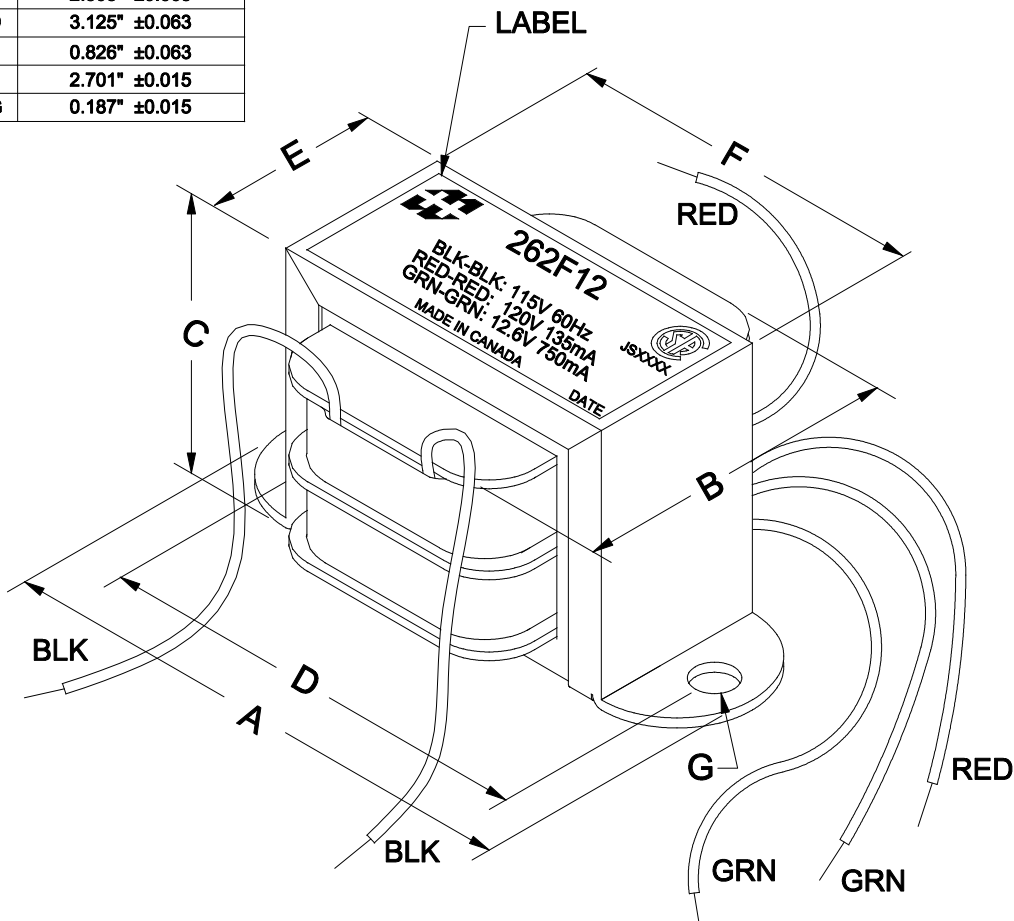


DIMENSIONS:	
A	3.688" ±0.063
B	1.850" ±0.125
C	2.308" ±0.063
D	3.125" ±0.063
E	0.826" ±0.063
F	2.701" ±0.015
G	0.187" ±0.015



NOTE: ALL LEADS 6" OUT MIN. STRIPPED 0.5"

ELECTRICAL DATA:		
TESTS	CONDITIONS	ACCEPTANCE CRITERIA
I <sub>ex</sub>	@ 115V, 60Hz, BLK - BLK	150mA Max.
Sec. N.L.V	@ 115V, 60Hz, BLK - BLK	
	RED - RED =	133.9V ±2%
	GRN - GRN =	14.28V ±2%
DCR	@ 20°C, BLK - BLK =	17.31 Ω ±20%
	@ 20°C, RED - RED =	37.57 Ω ±20%
	@ 20°C, GRN - GRN =	0.941 Ω ±20%
HIPOT	PRIMARY - SECONDARY	1500V, 60Hz, 1 SEC

REV.#	REVISION	DATE	HAMMOND ELECTRONIC DIVISION		
0	RELEASED. C.I.	05/11/15	52 RANKIN PLACE, WATERLOO, ONTARIO, N2J 3Z5		
			PH # (519) 886-6181		DWG. NO. 262F12
			FAX # (519) 886-9540		
			DWG. BY: C. ILIE	CHK'D BY:	TITLE: POWER TRANSFORMER
			DATE: 05/11/15	APP'D. BY:	
				DIMENSIONS: IN(X) MM( )	