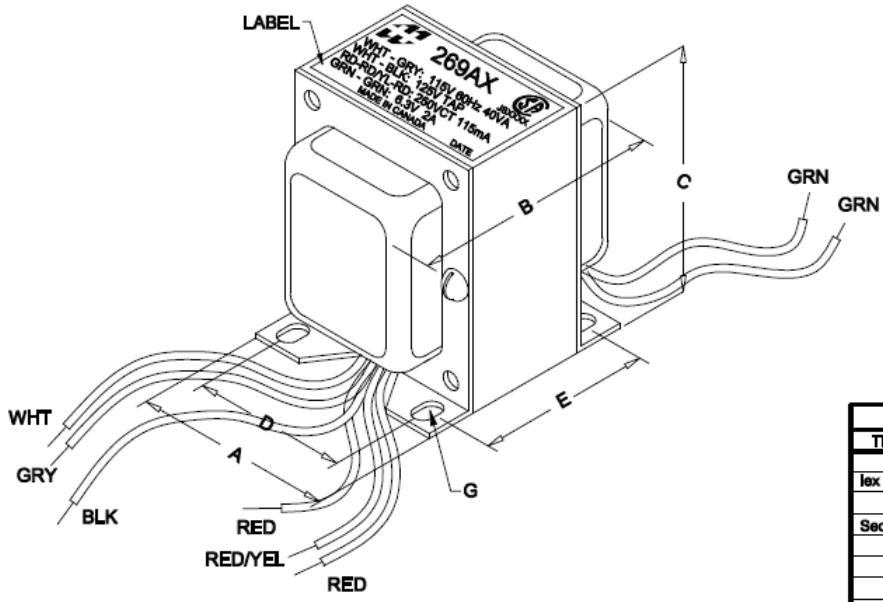
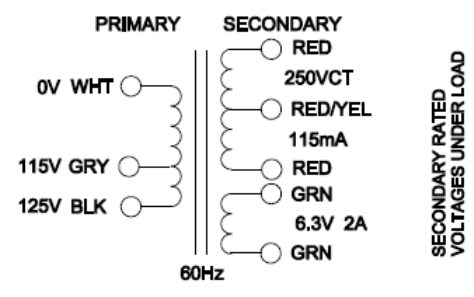


DIMENSIONS:	
A	2.188" ±0.063
B	2.500" ±0.125
C	2.625" ±0.063
D	1.750" ±0.063
E	1.438" ±0.063
G	0.188" x 0.250" ±0.015



NOTE: ALL LEADS 6" OUT MIN. STRIPPED 0.5"



ELECTRICAL DATA:		
TESTS	CONDITIONS	ACCEPTANCE CRITERIA
I _{ex}	@ 125V, 60Hz, WHT - BLK	122mA Max.
Sec. N.L.V	@ 125V, 60Hz, WHT - BLK	
	RED - RED =	284.7V ±2%
	RED - RED/YEL = RED/YEL - RED =	142.3V ±2%
	GRN - GRN =	7.299V ±2%
DCR	@ 20°C, WHT - BLK =	14.12 Ω ±20%
	@ 20°C, RED - RED =	119.2 Ω ±20%
	@ 20°C, GRN - GRN =	0.181 Ω ±20%
HIPOT	PRIMARY - SECONDARY	2000V, 60Hz, 1 SEC