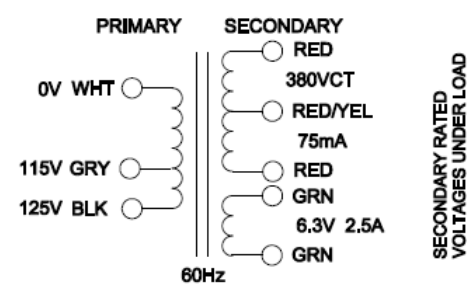
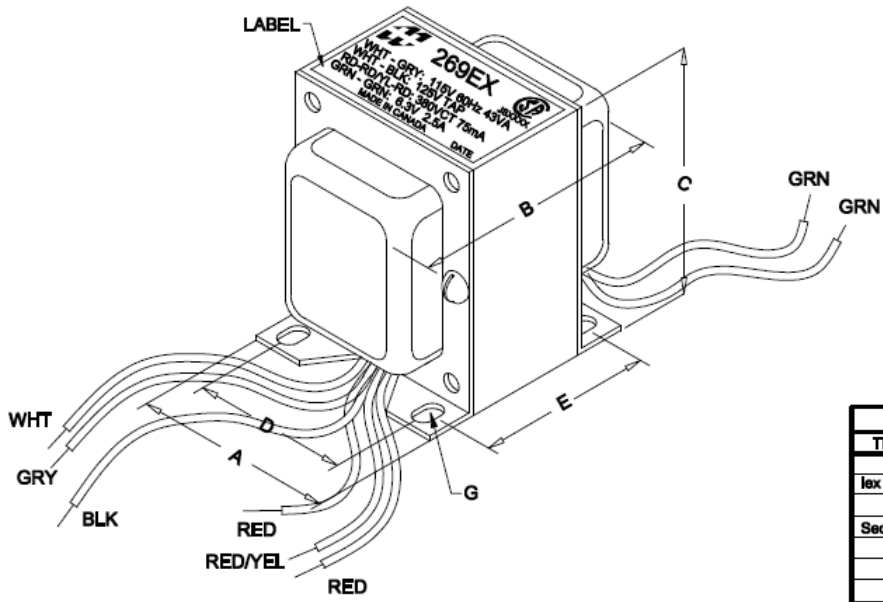


DIMENSIONS:	
A	2.188" ±0.063
B	2.625" ±0.125
C	2.625" ±0.063
D	1.750" ±0.063
E	1.563" ±0.063
G	0.188" x 0.250" ±0.015



NOTE: ALL LEADS 6" OUT MIN. STRIPPED 0.5"

ELECTRICAL DATA:			
TESTS	CONDITIONS	ACCEPTANCE CRITERIA	
Iex	@ 125V, 60Hz, WHT - BLK	119mA	Max.
Sec. N.L.V	@ 125V, 60Hz, WHT - BLK		
	RED - RED =	431.5V	±2%
	RED - RED/YEL = RED/YEL - RED =	215.7V	±2%
	GRN - GRN =	7.258V	±2%
DCR	@ 20°C, WHT - BLK =	13.19 Ω	±20%
	@ 20°C, RED - RED =	272.5 Ω	±20%
	@ 20°C, GRN - GRN =	0.188 Ω	±20%
HIPOT	PRIMARY - SECONDARY	2000V, 60Hz, 1 SEC	