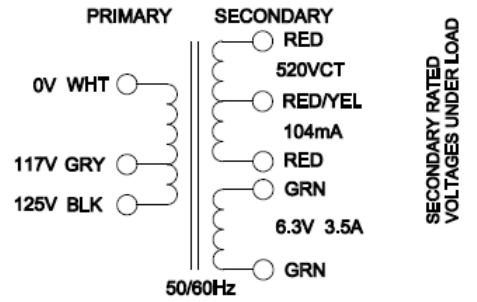
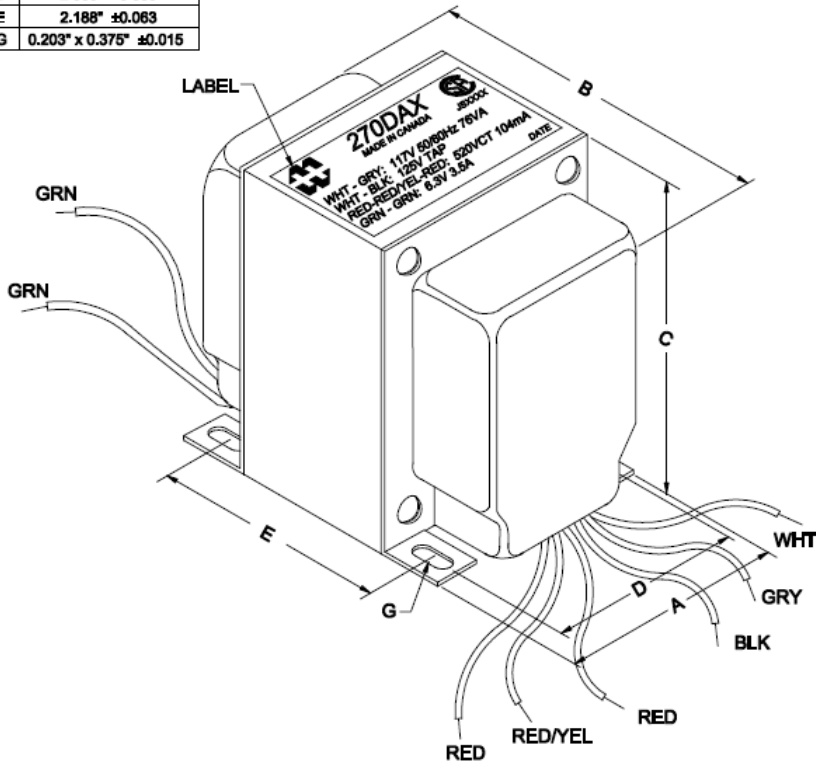


DIMENSIONS:	
A	2.500" ±0.063
B	3.200" ±0.125
C	3.060" ±0.063
D	2.000" ±0.063
E	2.188" ±0.063
G	0.203" x 0.375" ±0.015



ELECTRICAL DATA:		
TESTS	CONDITONS	ACCEPTANCE CRITERIA
I <sub>ex</sub>	@ 125V, 60Hz, WHT - BLK	192mA Max.
Sec. N.L.V	@ 125V, 60Hz, WHT - BLK	
	RED - RED =	557.8V ±2%
	RED - RED/YEL = RED/YEL - RED =	278.9V ±2%
	GRN - GRN =	7.009V ±2%
DCR	@ 20°C, WHT - BLK =	5.372 Ω ±20%
	@ 20°C, RED - RED =	177.8 Ω ±20%
	@ 20°C, GRN - GRN =	0.075 Ω ±20%
HIPOT	PRIMARY - SECONDARY	2000V, 60Hz, 1 SEC