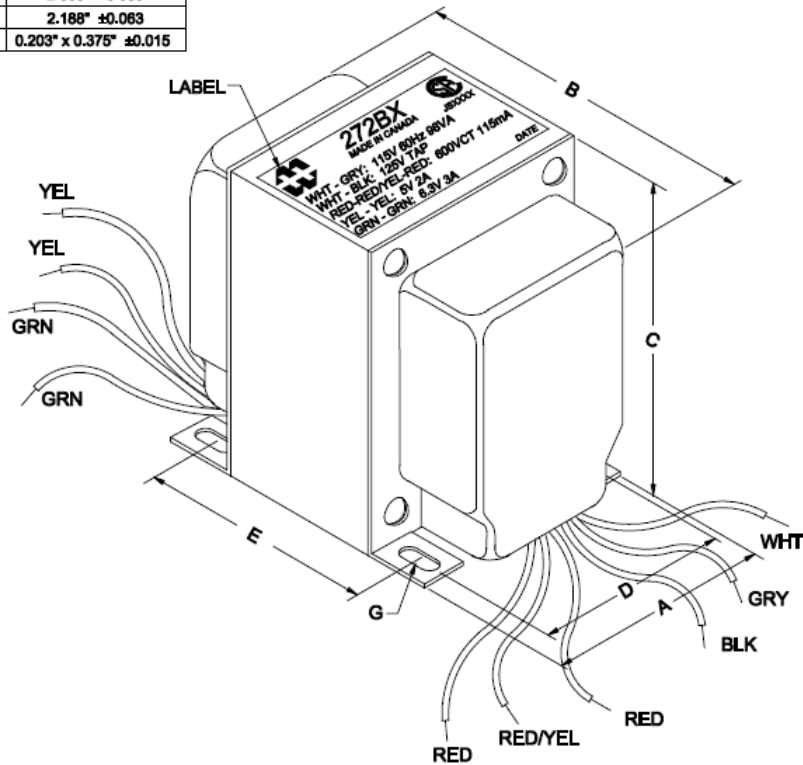
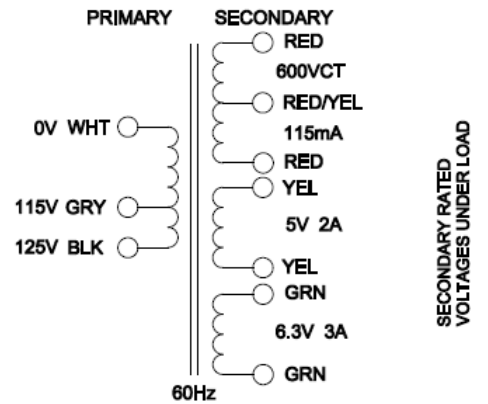


DIMENSIONS:	
A	2.500" ±0.063
B	3.185" ±0.125
C	3.060" ±0.063
D	2.000" ±0.063
E	2.188" ±0.063
G	0.203" x 0.375" ±0.015



NOTE: ALL LEADS 6" OUT MIN. STRIPPED 0.5"



ELECTRICAL DATA:		
TESTS	CONDITIONS	ACCEPTANCE CRITERIA
I _{ex}	@ 125V, 60Hz, WHT - BLK	230.4mA Max.
Sec. N.L.V	@ 125V, 60Hz, WHT - BLK	
	RED - RED =	652.5V ±2%
	RED - RED/YEL = RED/YEL - RED =	326.3V ±2%
	YEL - YEL =	5.571V ±2%
	GRN - GRN =	6.964V ±2%
DCR	@ 20°C, WHT - BLK =	3.926 Ω ±20%
	@ 20°C, RED - RED =	157.2 Ω ±20%
	@ 20°C, YEL - YEL =	0.076 Ω ±20%
	@ 20°C, GRN - GRN =	0.100 Ω ±20%
HIPOT	PRIMARY - SECONDARY	2500V, 60Hz, 1 SEC