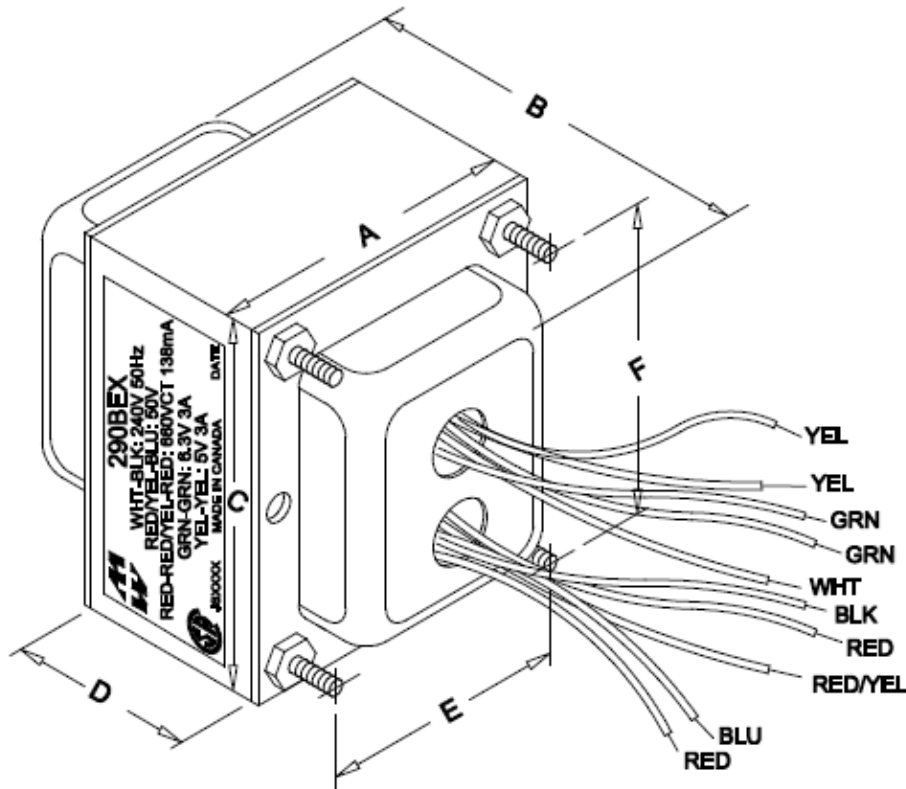


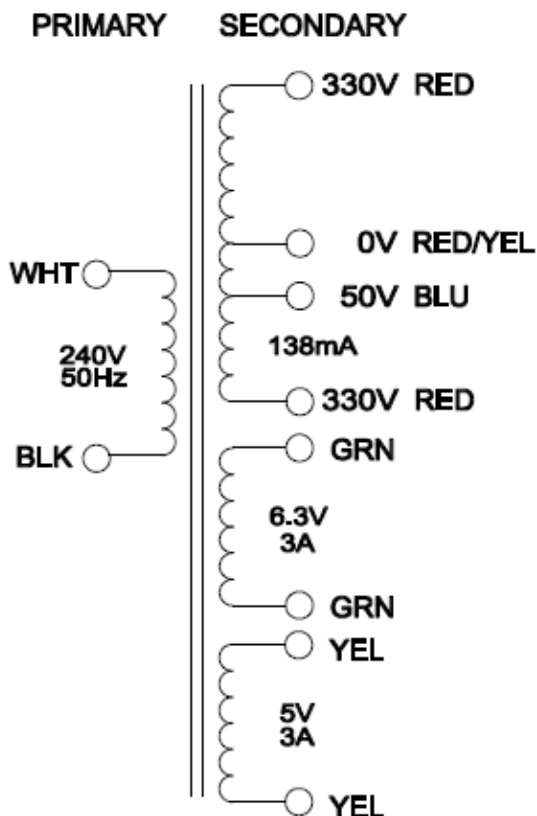
290BEX



NOTE: ALL LEADS 9" OUT MIN., STRIPPED .5"

DIMENSIONS:

| | |
|---|----------------|
| A | 2.813" ± 0.063 |
| B | 4.063" ± 0.125 |
| C | 3.375" ± 0.063 |
| D | 2.048" ± 0.063 |
| E | 2.250" ± 0.063 |
| F | 2.813" ± 0.063 |



ELECTRICAL DATA:

| | | |
|--------------------|---|------|
| Turns ratio: | 1 : 2.95 (RED - RED) | |
| Exciting Current | @ 240V, 50Hz, WHT - BLK = 165mA | Max. |
| DCR | @ 20C, WHT - BLK = 11.941Ω | ±20% |
| | @ 20C, RED - RED = 112.5 Ω | ±20% |
| | @ 20C, GRN - GRN = 0.073 Ω | ±20% |
| | @ 20C, YEL - YEL = 0.061 Ω | ±20% |
| Pri. Voltage | 240V 50Hz | |
| Sec. Voltage (RMS) | 660VCT @ 138mA C/W 50V TAP, 6.3V @ 3A / 5V @ 3A | |
| No Load Voltage | 701.89VCT / 6.79V / 5.43V | |