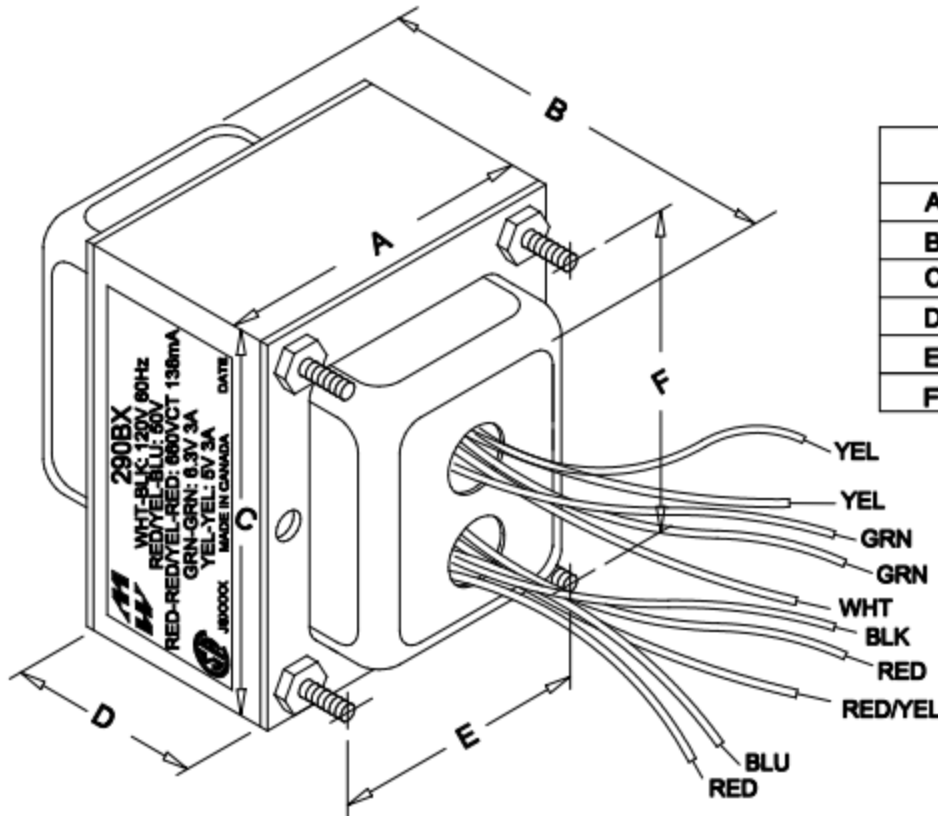
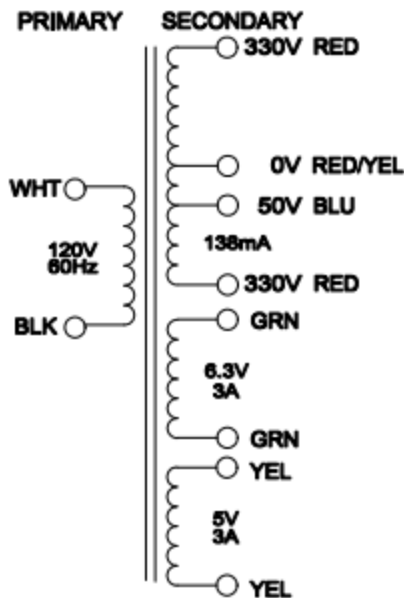


# 290BX



DIMENSIONS:	
A	2.813" ± 0.063
B	4.063" ± 0.125
C	3.375" ± 0.063
D	2.048" ± 0.063
E	2.250" ± 0.063
F	2.813" ± 0.063



ELECTRICAL DATA:	
Turns ratio:	1 : 5.85 ( RED - RED)
Exciting Current	@ 120V, 60Hz, WHT - BLK = 216mA Max.
DCR	@ 20C, WHT - BLK = 3.261 Ω ±20%
	@ 20C, RED - RED = 112.5 Ω ±20%
	@ 20C, GRN - GRN = 0.073 Ω ±20%
	@ 20C, YEL - YEL = 0.061 Ω ±20%
Prl. Voltage	120V 60Hz
Sec. Voltage (RMS)	660VCT @ 138mA C/W 50V TAP , 6.3V @ 3A / 5V @ 3A
No Load Voltage	701.89VCT / 6.79V / 5.43V