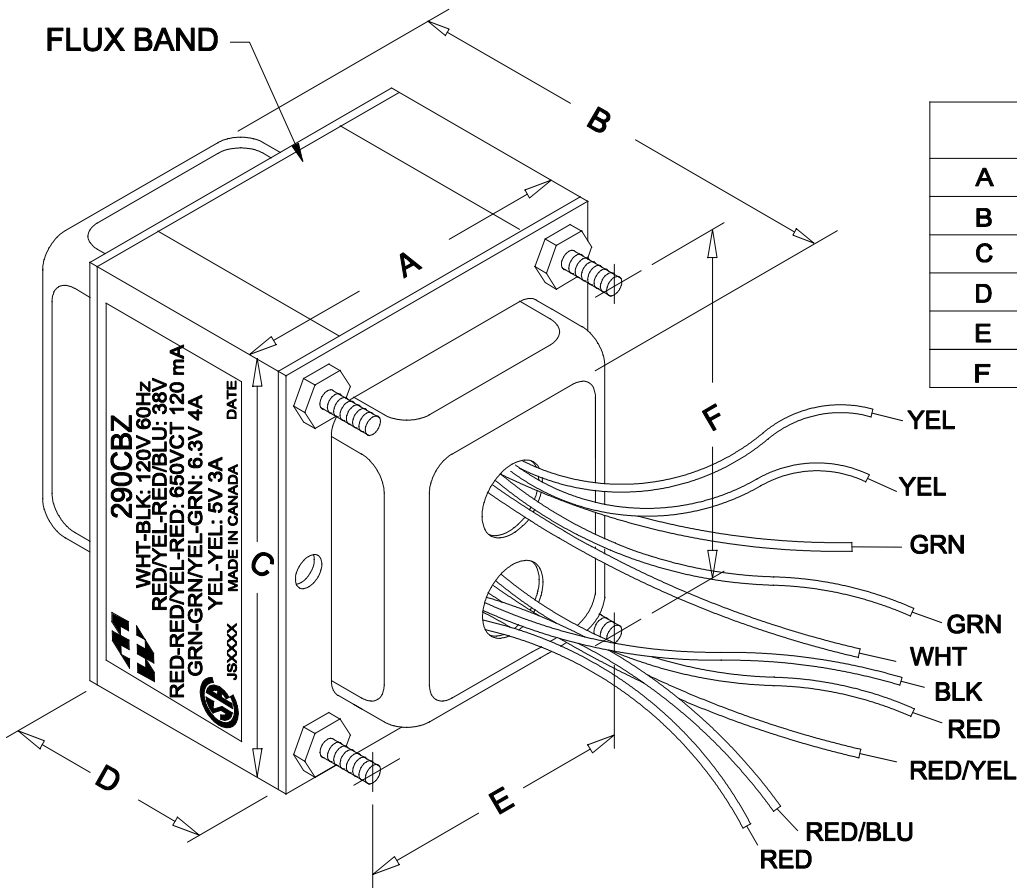


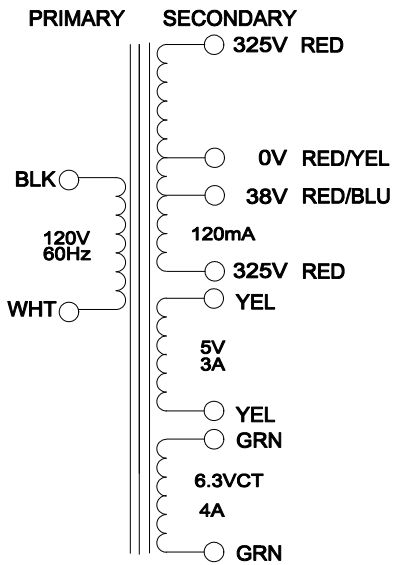
290CBZ



DIMENSIONS:	
A	3.125" ± 0.063
B	3.250" ± 0.125
C	3.750" ± 0.063
D	1.250" ± 0.063
E	2.500" ± 0.063
F	3.125" ± 0.063

290CBZ
 WHT-BLK: 120V 60Hz
 RED/YEL-RED/BLU: 38V
 RED-RED/YEL-RED: 650VCT 120 mA
 GRN-GRN/YEL-GRN: 6.3V 4A
 YEL-YEL: 5V 3A
 MADE IN CANADA
 .J5000X
 DATE

NOTE: ALL LEADS 9" OUT MIN., STRIPPED .5"



DESIGNED FOR : FENDER 65 DELUXE REVERB REISSUE.

ELECTRICAL DATA:	
Turns ratio:	1 : 5.63 (RED - RED)
Exciting Current	@ 120V, 60Hz, BLK - BLK = 258mA Max.
DCR	@ 20C, WHT - BLK = 2.70 Ω ±20%
	@ 20C, RED - RED = 117.0 Ω ±20%
	@ 20C, YEL - YEL = 0.050 Ω ±20%
Pri. Voltage	@ 20C, GRN - GRN = 0.061 Ω ±20%
	120V 60Hz
Sec. Voltage (RMS)	650VCT @ 120 mA C/W 38V TAP, 5V @ 3A / 6.3VCT @ 4A
No Load Voltage	676.0VCT/ 5.32V / 6.74V

HAMMOND ELECTRONICS
 52 RANKIN PLACE,
 WATERLOO, ONTARIO, N2L 3Z5.
 PHONE (519) 886-6181
 FAX # (519) 886-9540

TITLE		290CBZ	
		DR BY	D.Hutt
		DATE	19/04/18
NO	DATE	REVISION	DIM IN(X)MM()

290CBZ