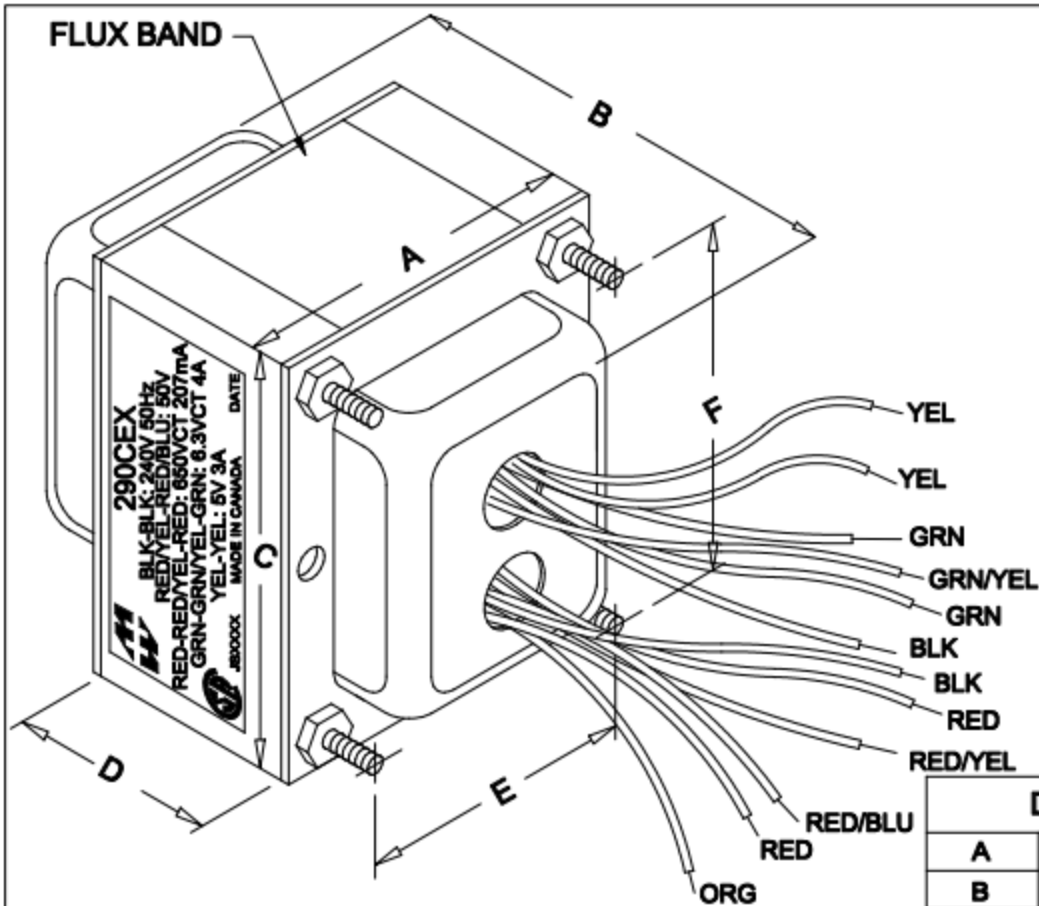


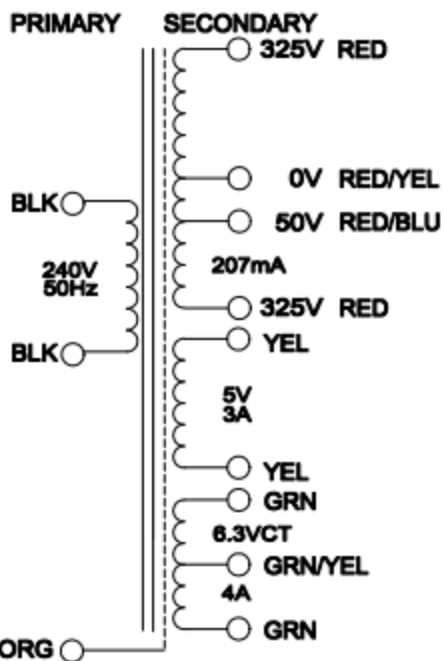
290CEX



NOTE: ALL LEADS 9" OUT MIN., STRIPPED .5"

DIMENSIONS:

A	3.125" ±0.063
B	4.063" ±0.125
C	3.750" ±0.063
D	1.975" ±0.063
E	2.500" ±0.063
F	3.125" ±0.063



ELECTRICAL DATA:

Turns ratio:	1 : 2.98 (RED - RED)	
Exciting Current	@ 240V, 50Hz, BLK - BLK = 250mA	Max.
DCR	@ 20C, BLK - BLK = 6.171 Ω	±20%
	@ 20C, RED - RED = 83.97 Ω	±20%
	@ 20C, YEL - YEL = 0.042 Ω	±20%
Pri. Voltage	240V 50Hz	
	Sec. Voltage (RMS) 850VCT @ 207mA C/W 50V TAP, 5V @ 3A / 6.3VCT @ 4A	
No Load Voltage	715.18VCT / 5.30V / 6.75V	