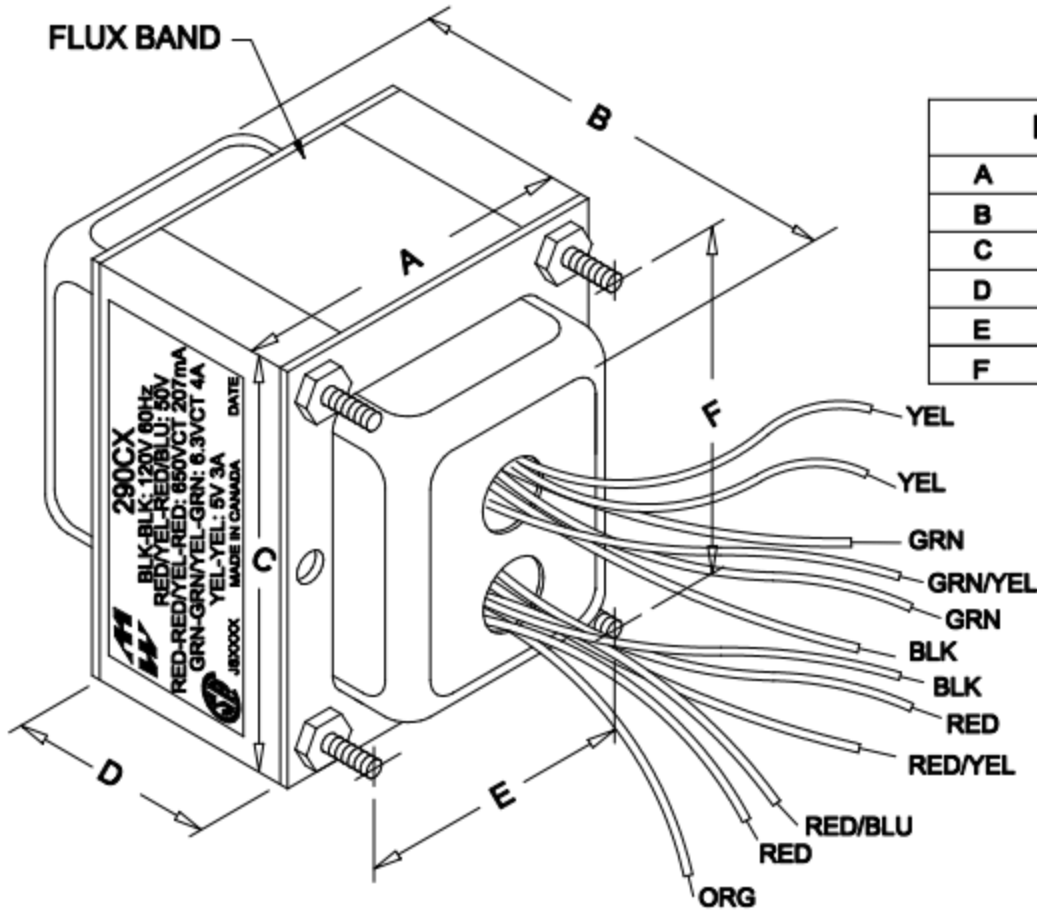
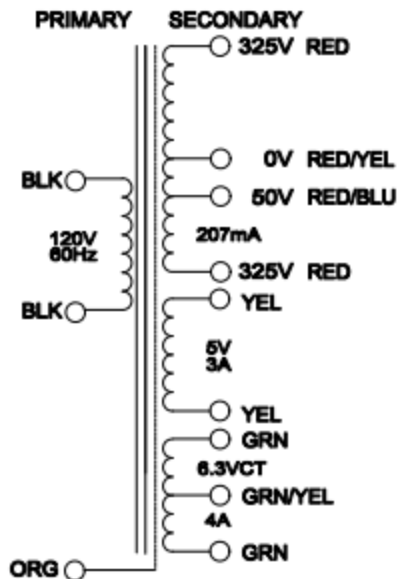


290CX



DIMENSIONS:	
A	3.125" ± 0.063
B	4.063" ± 0.125
C	3.750" ± 0.063
D	1.975" ± 0.063
E	2.500" ± 0.063
F	3.125" ± 0.063

NOTE: ALL LEADS 9" OUT MIN., STRIPPED .5"



ELECTRICAL DATA:	
Turns ratio:	1 : 5.96 (RED - RED)
Exciting Current	@ 120V, 60Hz, BLK - BLK = 258mA Max.
DCR	@ 20C, BLK - BLK = 1.539 Ω ±20%
	@ 20C, RED - RED = 83.99 Ω ±20%
	@ 20C, YEL - YEL = 0.041 Ω ±20%
	@ 20C, GRN - GRN = 0.054 Ω ±20%
Pri. Voltage	120V 60Hz
Sec. Voltage (RMS)	650VCT @ 207mA C/W 50V TAP, 5V @ 3A / 6.3VCT @ 4A
No Load Voltage	715.18VCT / 5.30V / 6.75V