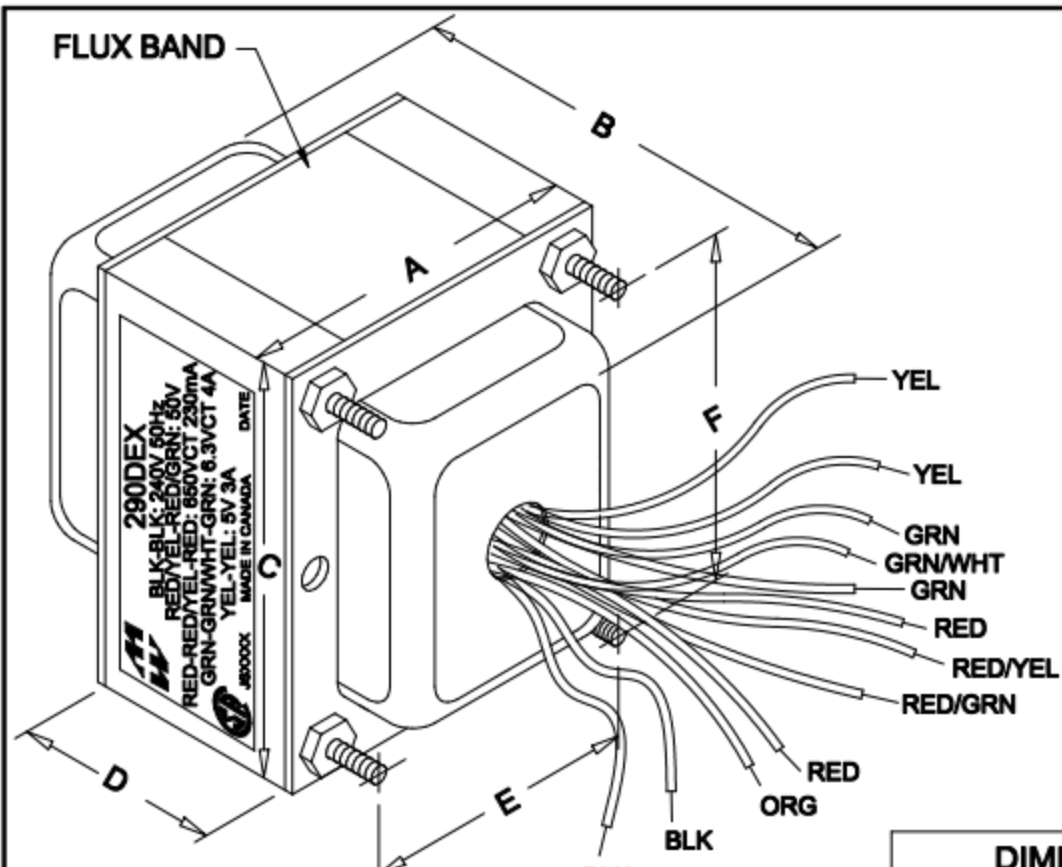
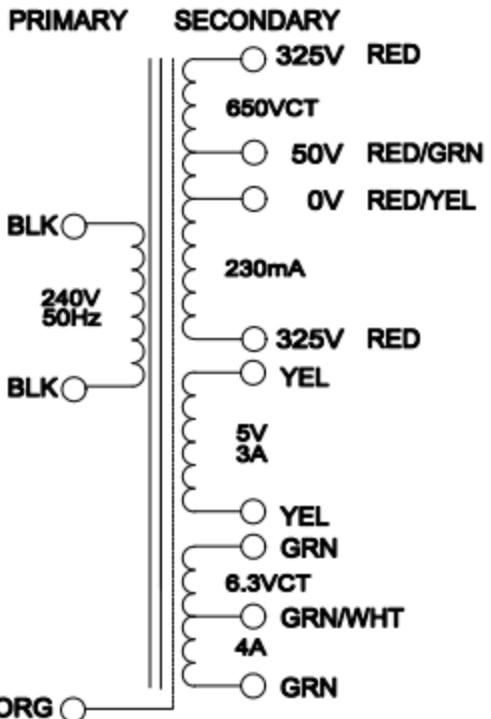


290DEX



NOTE: ALL LEADS 9" OUT MIN., STRIPPED .5"



DIMENSIONS:	
A	3.438" ±0.063
B	4.063" ±0.125
C	4.125" ±0.063
D	1.844" ±0.063
E	2.750" ±0.063
F	3.438" ±0.063

ELECTRICAL DATA:	
Turns ratio:	1 : 2.98 ( RED - RED)
Exciting Current	@ 240V, 50Hz, BLK - BLK = 268mA Max.
DCR	@ 20C, BLK - BLK = 5.059 Ω ±20%
	@ 20C, RED - RED = 74.40 Ω ±20%
	@ 20C, YEL - YEL = 0.111 Ω ±20%
	@ 20C, GRN - GRN = 0.058 Ω ±20%
Pri. Voltage	240V 50Hz
Sec. Voltage (RMS)	650VCT @ 230mA C/W 50V TAP, 5V @ 3A / 6.3VCT @ 4A
No Load Voltage	712.28VCT / 6.30V / 6.75V