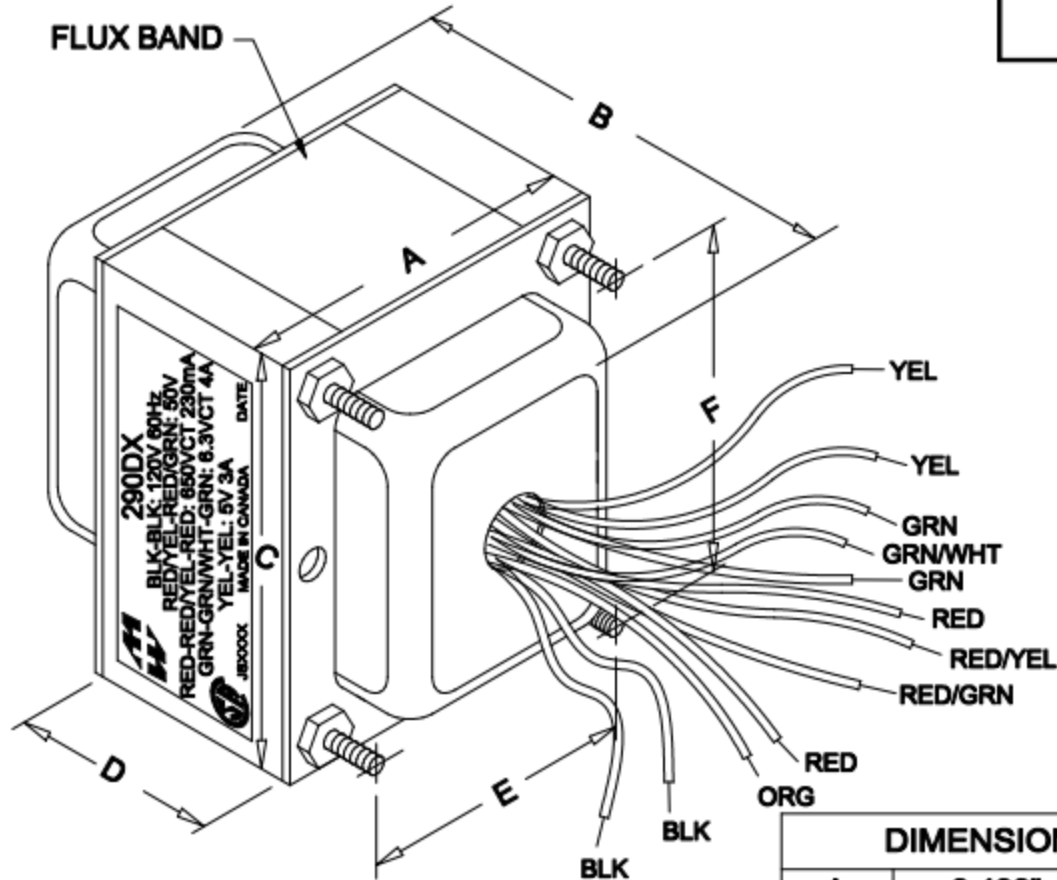
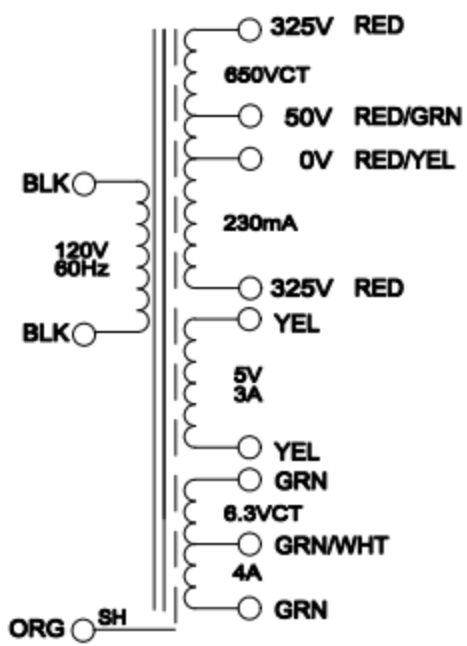


290DX



NOTE: ALL LEADS 9" OUT MIN., STRIPPED .5"

DIMENSIONS:	
A	3.438" ±0.063
B	4.063" ±0.125
C	4.125" ±0.063
D	1.844" ±0.063
E	2.750" ±0.063
F	3.438" ±0.063



ELECTRICAL DATA:	
Turns ratio:	1 : 5.94 (RED - RED)
Exciting Current	@ 120V, 60Hz, BLK - BLK = 282mA Max.
DCR	@ 20C, BLK - BLK = 1.262 Ω ±20%
	@ 20C, RED - RED = 70.27 Ω ±20%
	@ 20C, YEL - YEL = 0.071 Ω ±20%
	@ 20C, GRN - GRN = 0.058 Ω ±20%
Pri. Voltage	120V 50Hz
Sec. Voltage (RMS)	650VCT @ 230mA C/W 50V TAP, 5V @ 3A / 6.3VCT @ 4A
No Load Voltage	712.29VCT/ 5.30V / 6.75V