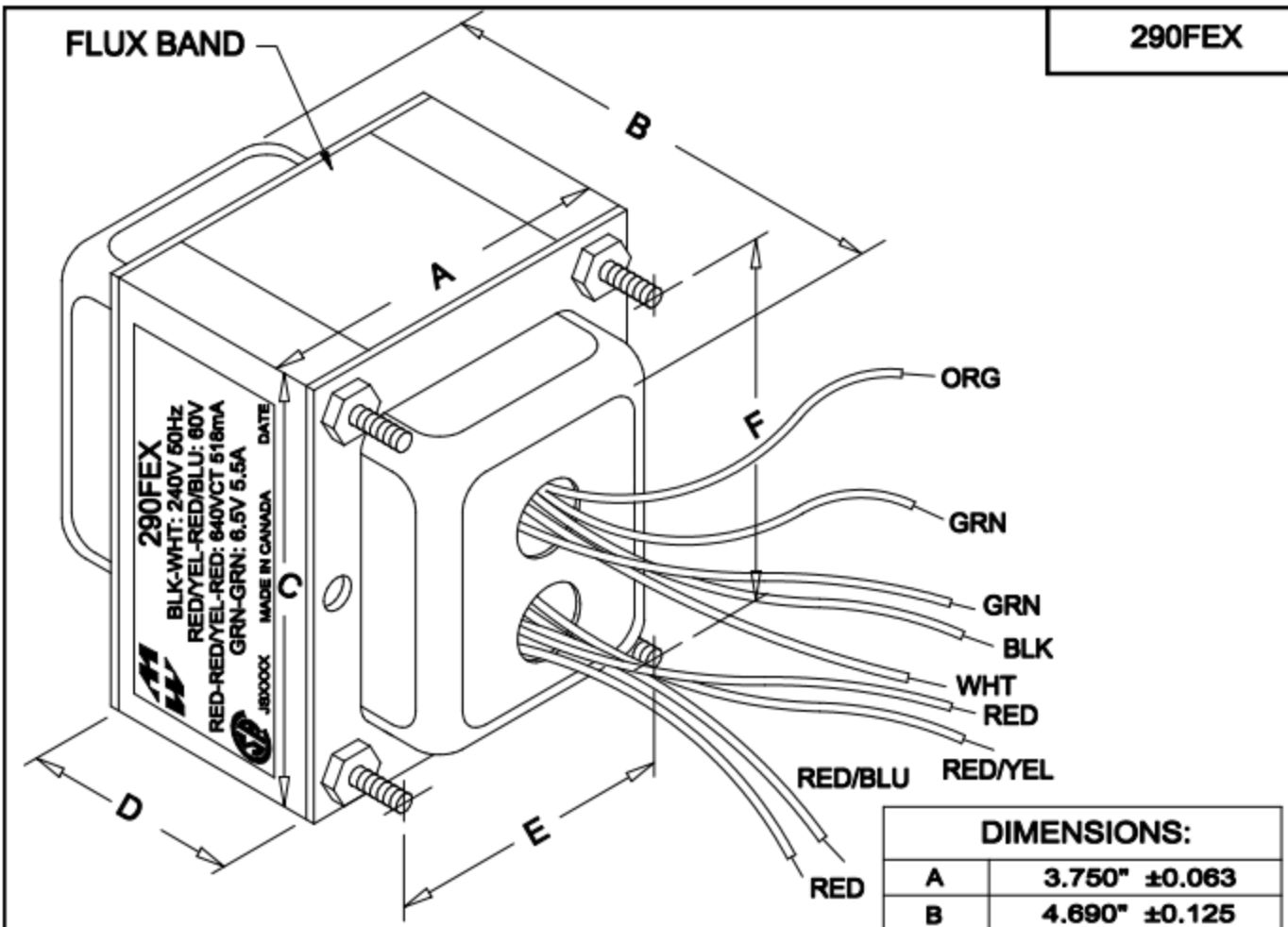
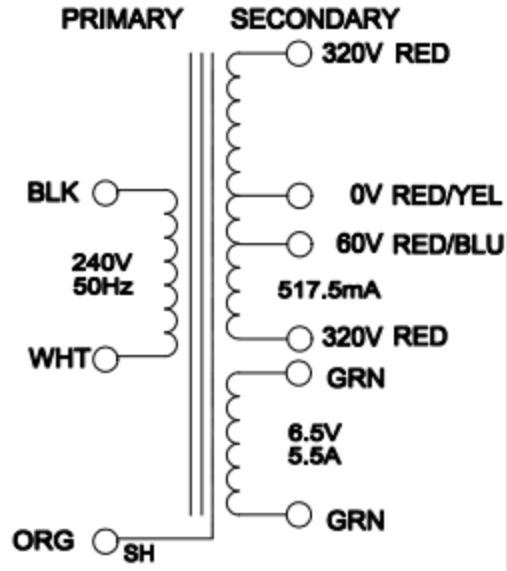


290FEX



DIMENSIONS:	
A	3.750" ±0.063
B	4.690" ±0.125
C	4.500" ±0.063
D	2.370" ±0.063
E	3.000" ±0.063
F	3.750" ±0.063

NOTE: ALL LEADS 9" OUT MIN., STRIPPED .5"



ELECTRICAL DATA:	
Turns ratio:	1 : 2.77 (RED - RED)
Exciting Current	@ 240V, 50Hz, BLK - WHT = 255mA Max.
DCR	@ 20C, WHT - BLK = 3.161 Ω ±20%
	@ 20C, RED - RED = 20.19 Ω ±20%
	@ 20C, GRN - GRN = 0.074 Ω ±20%
Pri. Voltage	240V 50Hz
Sec. Voltage (RMS)	640VCT @ 518mA C/W 80V TAP, 6.5V @ 5.5A
No Load Voltage	665.26VCT / 7.02V