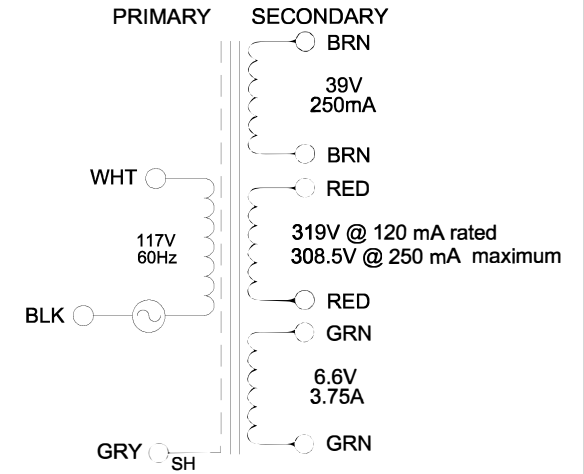
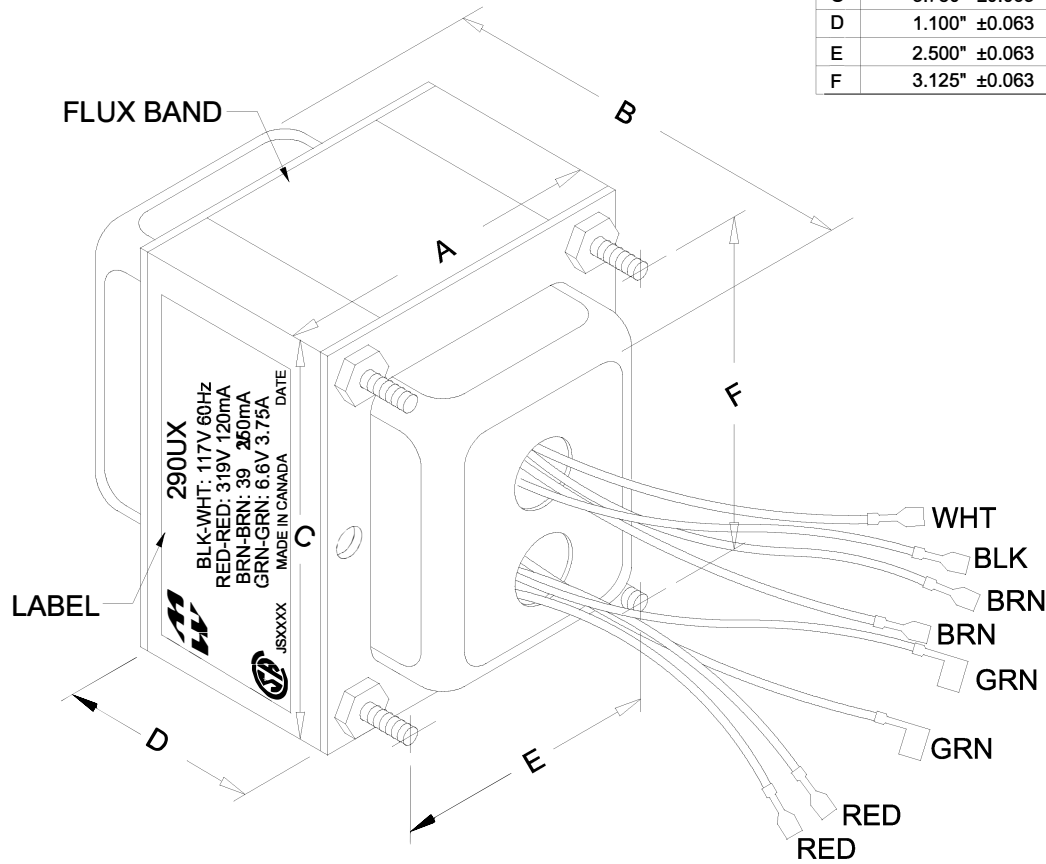


DIMENSIONS:	
A	3.125" ±0.063
B	3.250" ±0.125
C	3.750" ±0.063
D	1.100" ±0.063
E	2.500" ±0.063
F	3.125" ±0.063



NOTE: ALL LEADS 12" OUT MIN.

ELECTRICAL DATA:			
TESTS	CONDITIONS	ACCEPTANCE CRITERIA	
I _{ex}	@ 117V, 60Hz, BLK - WHT	200mA	Max.
Sec. N.L.V	@ 117V, 60Hz, BLK - WHT		
	RED - RED =	331.3V	±2%
	BRN - BRN =	40.95V	±2%
	GRN - GRN =	7.082V	±2%
DCR	@ 20°C, BLK - WHT =	4.140 Ω	±20%
	@ 20°C, RED - RED =	44.94 Ω	±20%
	@ 20°C, BRN - BRN =	4.800 Ω	±20%
	@ 20°C, GRN - GRN =	0.080 Ω	±20%
HIPOT	PRIMARY - SECONDARY	2500V, 60Hz, 1 SEC	

REV.#	REVISION	DATE
0	RELEASED.	07/26/11
1	Add B+ winding maximum current	09/18/14



DWG. BY: C. ILIE	CHK'D BY:	TITLE: 290UX	DWG. NO.
DATE: 07/26/11	APP'D. BY:	TRANSFORMER	290UX
DIMENSIONS: IN(X) MM()			