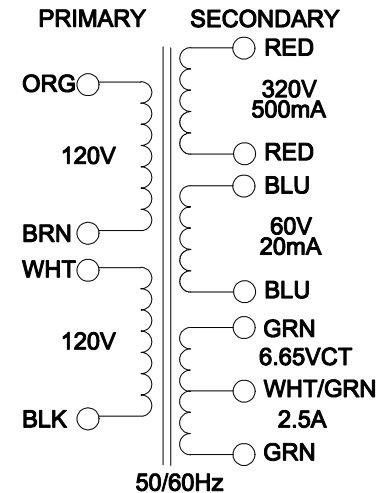
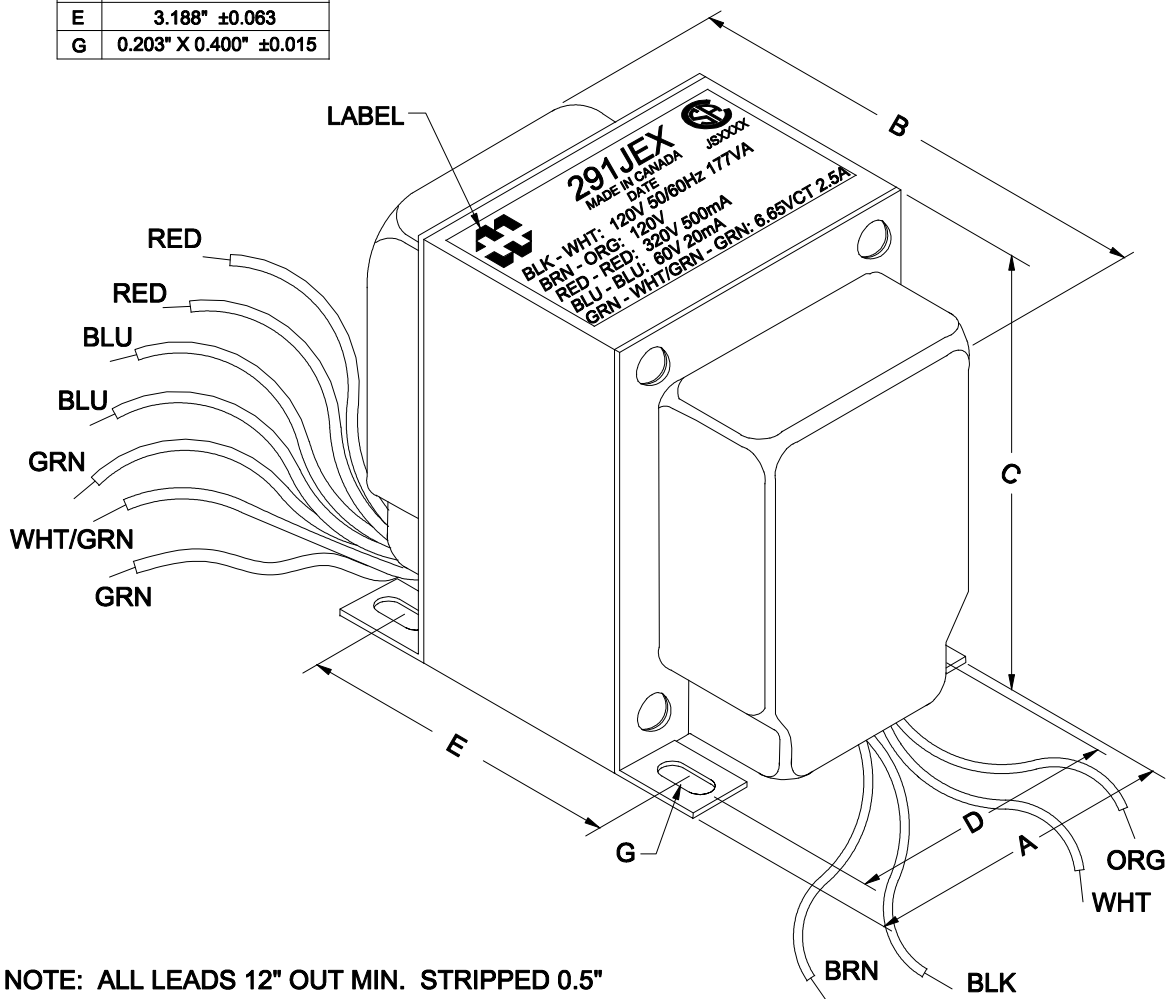


DIMENSIONS:	
A	3.125" ±0.063
B	4.436" ±0.125
C	3.796" ±0.063
D	2.500" ±0.063
E	3.188" ±0.063
G	0.203" X 0.400" ±0.015



NOTE: ALL LEADS 12" OUT MIN. STRIPPED 0.5"

ELECTRICAL DATA:			
TESTS	CONDITIONS	ACCEPTANCE CRITERIA	
Iex	@ 120V, 60Hz, BLK - WHT	370mA	Max.
Sec. N.L.V	@ 120V, 60Hz, BLK - WHT		
	BRN - ORG =	120.0V	±2%
	RED - RED =	331.7V	±2%
	BLU - BLU =	62.31V	±2%
	GRN - WHT/GRN = WHT/GRN - GRN =	3.462V	±2%
	GRN - GRN =	6.923V	±2%
DCR	@ 20°C, BLK - WHT =	2.775 Ω	±20%
	@ 20°C, BRN - ORG =	2.976 Ω	±20%
	@ 20°C, RED - RED =	11.47 Ω	±20%
	@ 20°C, BLU - BLU =	9.229 Ω	±20%
	@ 20°C, GRN - GRN =	0.052 Ω	±20%
HIPOT	PRIMARY - SECONDARY	2000V, 60Hz, 1 SEC	

REV.#	REVISION	DATE
0	RELEASED.	C.I. 09/23/19

HAMMOND ELECTRONIC DIVISION
MANUFACTURING 52 RANKIN PLACE, WATERLOO, ONTARIO, N2J 3Z5 PH # (519) 886-6181 FAX # (519) 886-9540

DWG. BY: C. ILIE	CHK'D BY:	TITLE: POWER TRANSFORMER	DWG. NO. 291JEX
DATE: 09/23/19	APP'D. BY:		
	DIMENSIONS: IN(X) MM()		