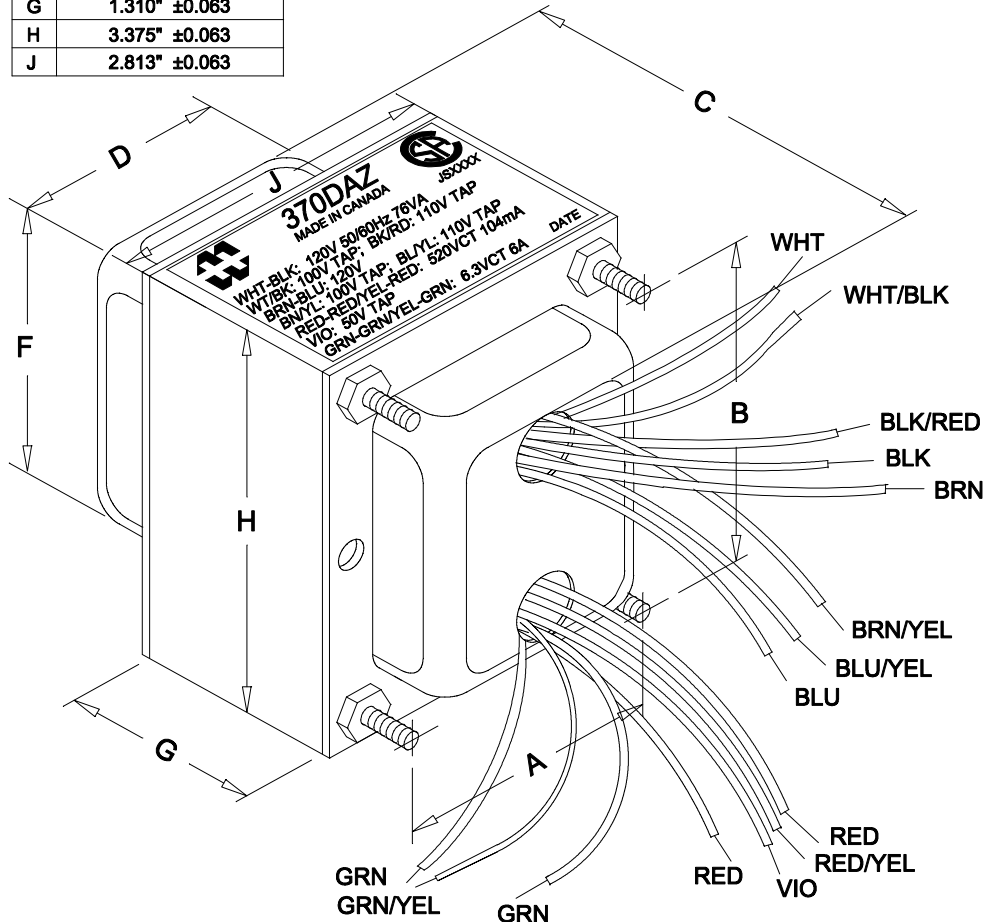
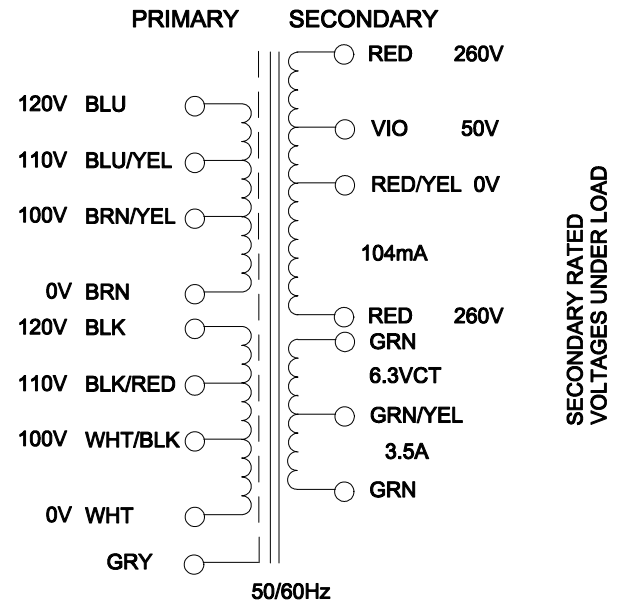


DIMENSIONS:	
A	2.250" ±0.063
B	2.813" ±0.063
C	3.500" ±0.125
D	1.873" ±0.063
F	2.435" ±0.063
G	1.310" ±0.063
H	3.375" ±0.063
J	2.813" ±0.063



NOTE: ALL LEADS 8" OUT MIN. STRIPPED 0.5"



GRY - ELECTROSTATIC SHIELD

ELECTRICAL DATA:		
TESTS	CONDITIONS	ACCEPTANCE CRITERIA
Iex	@ 120V, 60Hz, WHT - BLK	83mA Max.
Sec. N.L.V	@ 120V, 60Hz, WHT - BLK	
	RED - RED =	573.5V ±2%
	RED - RED/YEL = RED/YEL - RED =	286.8V ±2%
	RED/YEL - VIO =	50.00V ±2%
	GRN - GRN =	7.000V ±2%
	GRN - GRN/YEL = GRN/YEL - GRN =	3.500V ±2%
DCR	@ 20°C, WHT - BLK =	12.12 Ω ±20%
	@ 20°C, BRN - BLU =	13.10 Ω ±20%
	@ 20°C, RED - RED =	222.9 Ω ±20%
	@ 20°C, GRN - GRN =	0.091 Ω ±20%
HIPOT	PRIMARY - SECONDARY	2500V, 60Hz, 1 SEC

REV.#	REVISION	DATE
0	RELEASED. C.I.	09/08/12

HAMMOND ELECTRONIC DIVISION
MANUFACTURING™
 52 RANKIN PLACE,
 WATERLOO, ONTARIO, N2J 3Z5
 PH # (519) 886-6181
 FAX # (519) 886-9540

DWG. BY: C. ILIE	CHK'D BY:	TITLE: POWER TRANSFORMER	DWG. NO. 370DAZ
DATE: 09/08/12	APP'D. BY:		
	DIMENSIONS: IN(X) MM()		