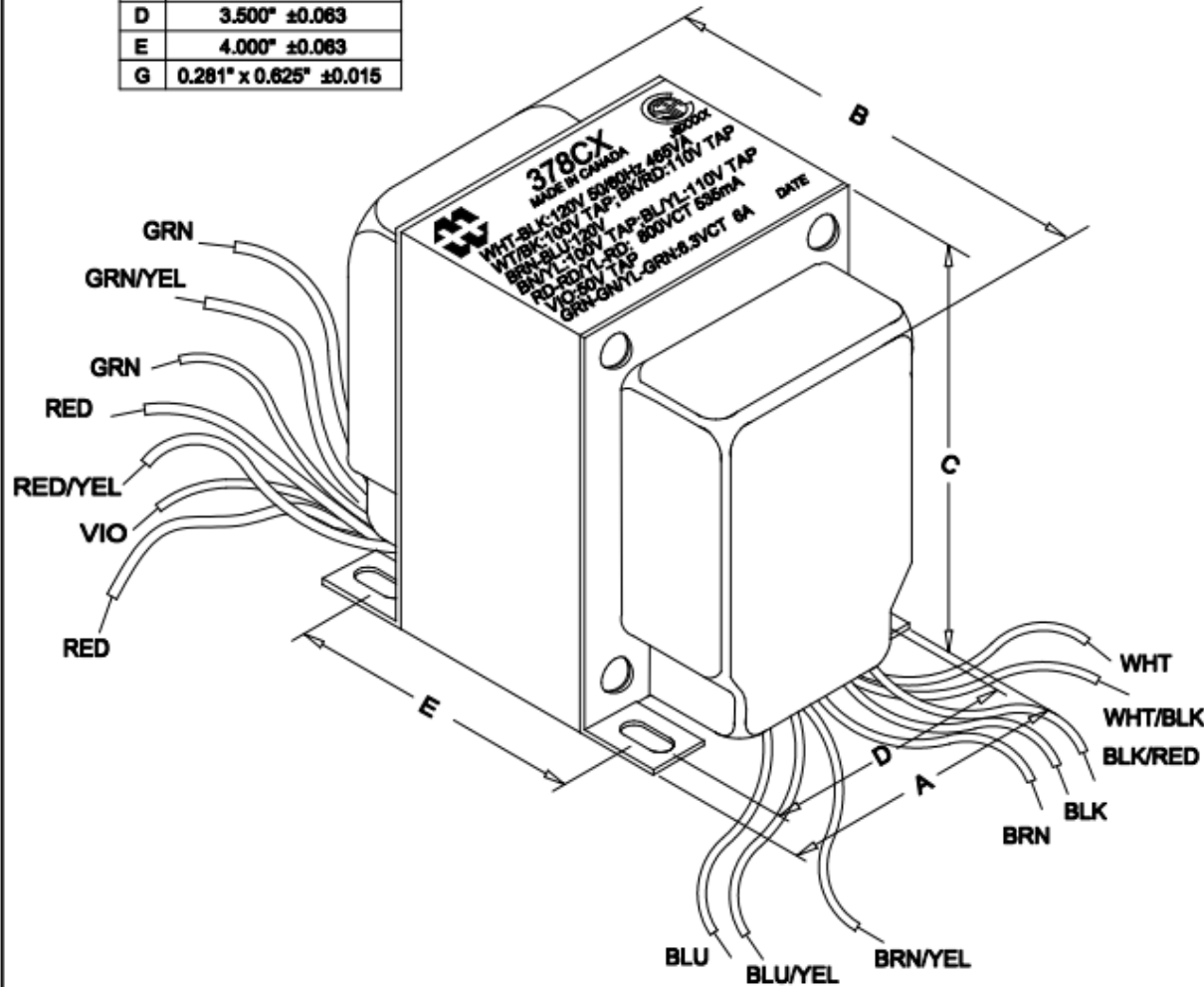
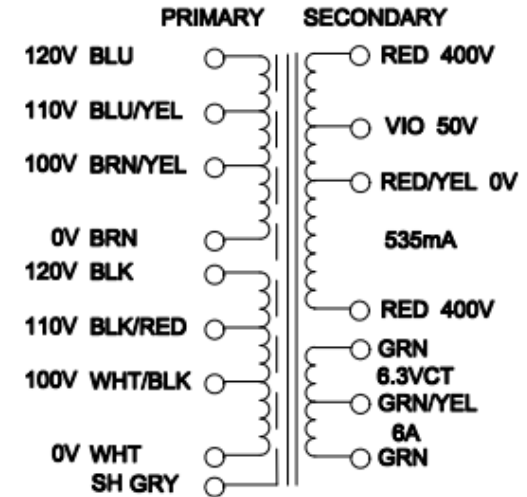


DIMENSIONS:	
A	4.375" ±0.063
B	6.000" ±0.125
C	5.250" ±0.063
D	3.500" ±0.063
E	4.000" ±0.063
G	0.281" x 0.625" ±0.015



NOTE: ALL LEADS 8" OUT MIN., STRIPPED .5"



ELECTRICAL DATA:			
TESTS	CONDITIONS	ACCEPTANCE CRITERIA	
I <sub>ex</sub>	@ 120V, 60Hz, WHT - BLK	550mA	Max.
Sec. N.L.V	@ 120V, 60Hz, WHT - BLK		
		RED - RED =	832.7V ±2%
		RED - RED/YEL = RED/YEL - RED =	416.3V ±2%
		RED/YEL - VIO =	51.43V ±2%
		GRN - GRN =	6.531V ±2%
		GRN - GRN/YEL = GRN/YEL - GRN =	3.265V ±2%
DCR	@ 20°C, WHT - BLK =	0.598 Ω	±20%
	@ 20°C, BRN - BLU =	0.863 Ω	±20%
	@ 20°C, RED - RED =	20.62 Ω	±20%
	@ 20°C, GRN - GRN =	0.009 Ω	±20%
HIPOT	PRIMARY - SECONDARY	2500V, 60Hz, 1 SEC	