

Tip Jack Insulated Deluxe

SPECIFICATIONS

Contact: Brass per QQ-B-626D with wrap around beryllium copper spring per QQ-C-533

Finish: Silver

Body: Nylon 6/6 per ASTM D4066

Hardware: Nickel plated nut (unassembled)

Body Thread Stripping Torque: 0.4 lb. in (4.5 kg. cm.)

Panel Thickness: Up to .437 (11.10)

RATINGS

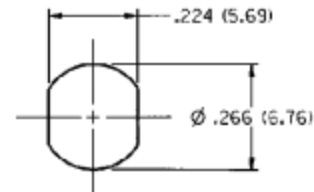
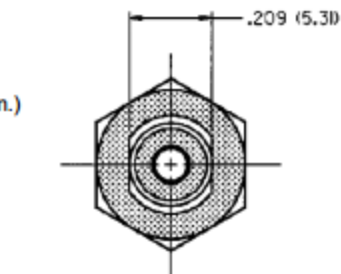
Current: 10 amps

Breakdown Voltage: 5700 Vrms minimum

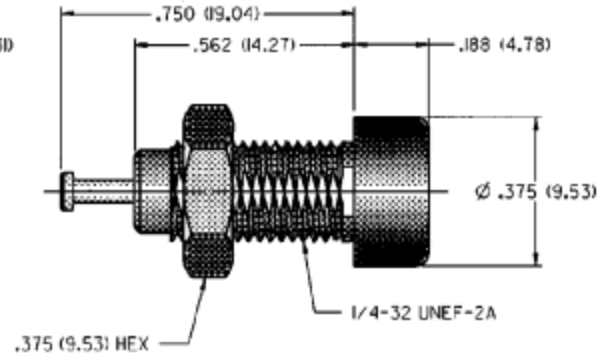
Contact Resistance: 0.010 ohms maximum

Contact-To-Panel C: 2 pF nominal

SILVER PLATING	
PART NO.	COLOR
105-0601-001	White



MOUNTING HOLE LAYOUT



For Standard Tip Plug: .080 (2.00) Diameter

FEATURES:

- Machined contact with turret terminal
- Hex socket head .188 (4.77) for ease in mounting
- Closed entry blocks access of probes greater than .085 (2.16)
- Nylon UL approved for self extinguishing